



TANIA L2

ZL11/298/L100 MS**

WWW.OSMONT.CZ

TANIA L2

Product code: TAN58164

Type: ZL11/298/L100 MS**

Short description of the luminaire: Brass pendant E27 light ON/OFF with TRIPLEX OPAL glass shade.



Technical

| | |
|------------------------------|--------------------------------|
| Types of luminaires | Classic on/off |
| Mounting type | Suspended - wire |
| Base material | brass |
| Shade material | three-layer glass TRIPLEX OPAL |
| Base color | polished brass |
| Shade color | white |
| Holding the shade | steel holder |
| Mounting location | ceiling |
| Width | 400 mm |
| Length | 400 mm |
| Height | 520 mm |
| Diameter | ø 400 mm |
| Hinge length | 1000 mm |
| mounting holes (diameter) | none |
| Installation wire (diameter) | none |
| Impact strength | IK01 |



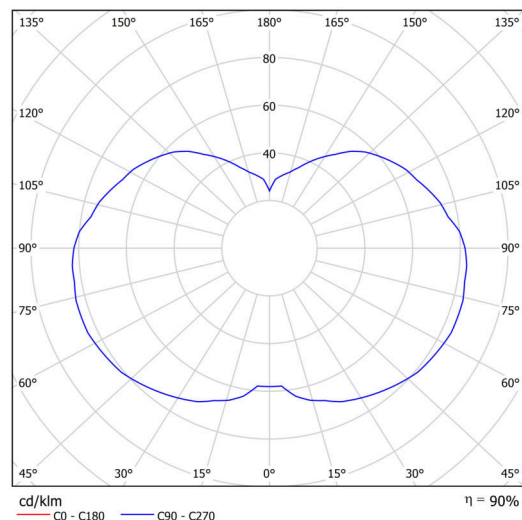
Electric

| | |
|--------------------|-------------|
| Voltage type | AC |
| AC voltage | 220 - 240 V |
| Power consumption | 40 W |
| Ingress Protection | IP40 |
| Socket | E27 |
| terminal block | none |

Luminous

| | |
|-------------------|--------------|
| Blue light hazard | Risk group 0 |
|-------------------|--------------|

Eulum data for calculation programs are available at www.osmont.cz.

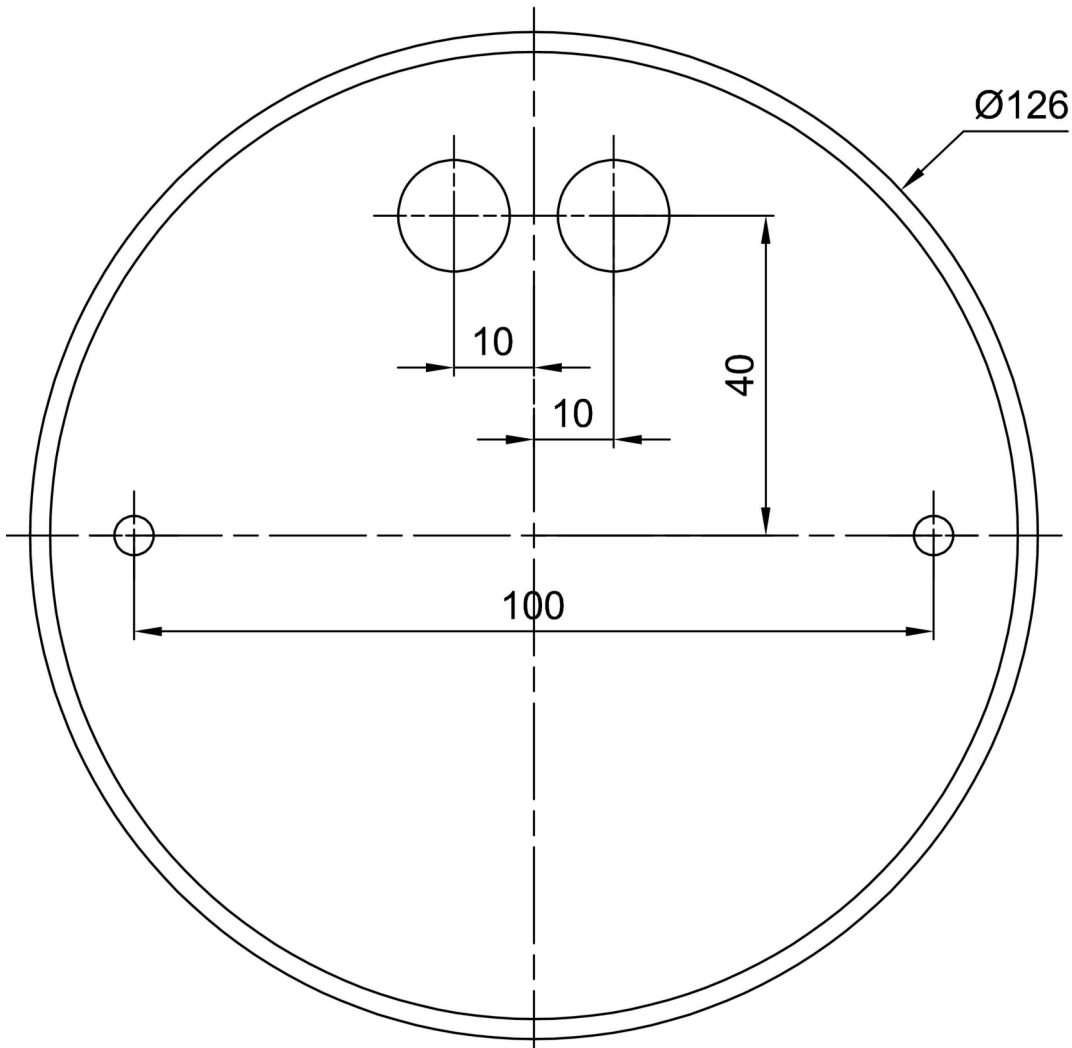


Logistic

| | |
|-------------------|----------------------|
| EAN | 8591728581640 |
| Weight NTTO | 5.4 Kg |
| Weight BTTO | 7.3 Kg |
| Number of cartons | 1 pcs |
| Package volume | 0.133 m ³ |
| Package 1 width | 0.5 m |
| Package 1 length | 0.51 m |
| Package 1 height | 0.52 m |
| Warranty* | 60 months |


*The warranty for the batteries is valid for 12 months from the date of purchase.

Installation dimensions:



Additional assortment:

Lampshade

| Product code | Name | Color | Description | Picture | Drawing |
|--------------|------|-------|-------------|---|---------|
| 20129 | 298 | white | |  | |