



SYLVIA 2 X15

IN-32U12/130/X15**

WWW.OSMONT.CZ

SYLVIA 2 X15

Product code: SYL44547

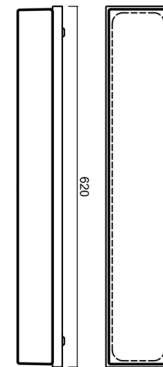
Type: IN-32U12/130/X15**

Short description of the luminaire: Stainless brushed surface-mounted E27 light ON/OFF with decorative collar with TRIPLEX OPAL glass shade.



Technical

Types of luminaires	Classic on/off
Mounting type	surface mounted
Base material	stainless steel steel
Shade material	three-layer glass TRIPLEX OPAL
Base color	brushed stainless steel
Shade color	white
Holding the shade	folding system
Mounting location	ceiling/wall
Width	620 mm
Length	110 mm
Height	75 mm
mounting holes (diameter)	2xØ5mm
Installation wire (diameter)	2xØ16mm
Impact strength	IK01
Operating temperature	from -20°C to +30°C



60 | 21

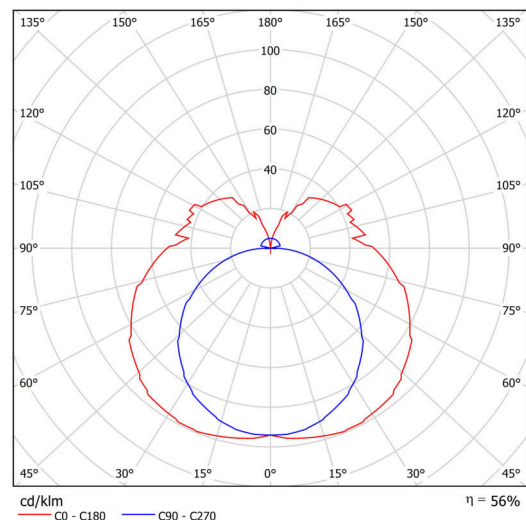
Electric

Voltage type	AC
AC voltage	220 - 240 V
Power consumption	3x7 W
Ingress Protection	IP44
Socket	E14
terminal block	snap terminal block

Luminous

Blue light hazard	Risk group 0
-------------------	--------------

Eulum data for calculation programs are available at www.osmont.cz.

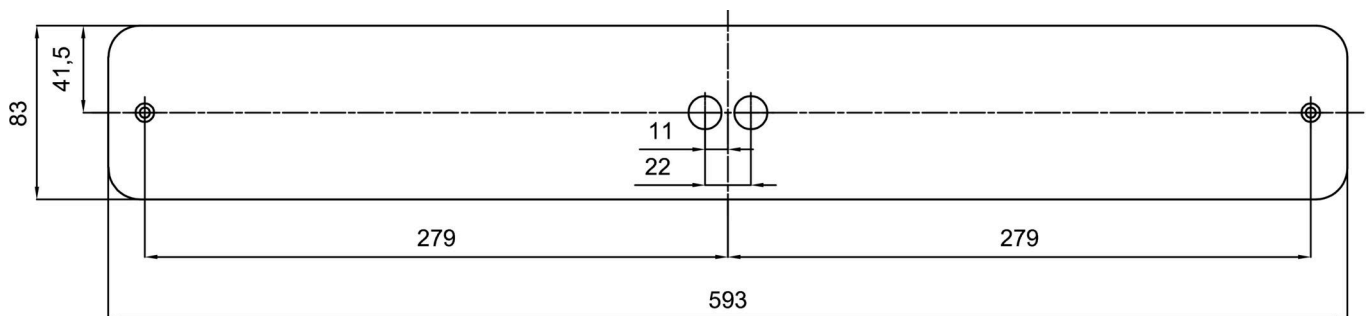


Logistic

EAN	8591728445478
Weight NTTO	2.27 Kg
Weight BTTO	2.47 Kg
Number of cartons	1 pcs
Package volume	0.006 m ³
Package 1 width	0.655 m
Package 1 length	0.125 m
Package 1 height	0.09 m
Warranty*	60 months

*The warranty for the batteries is valid for 12 months from the date of purchase.

Installation dimensions:



Additional assortment:

Lampshade

Product code	Name	Color	Description	Picture	Drawing
20075	130	white		