

SUBRA LH2

LED-12L71E1050ZLH/PM822/L100 C 4K##

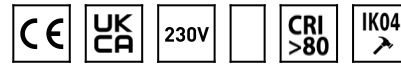
WWW.OSMONT.CZ

SUBRA LH2

Product code: SUB60554

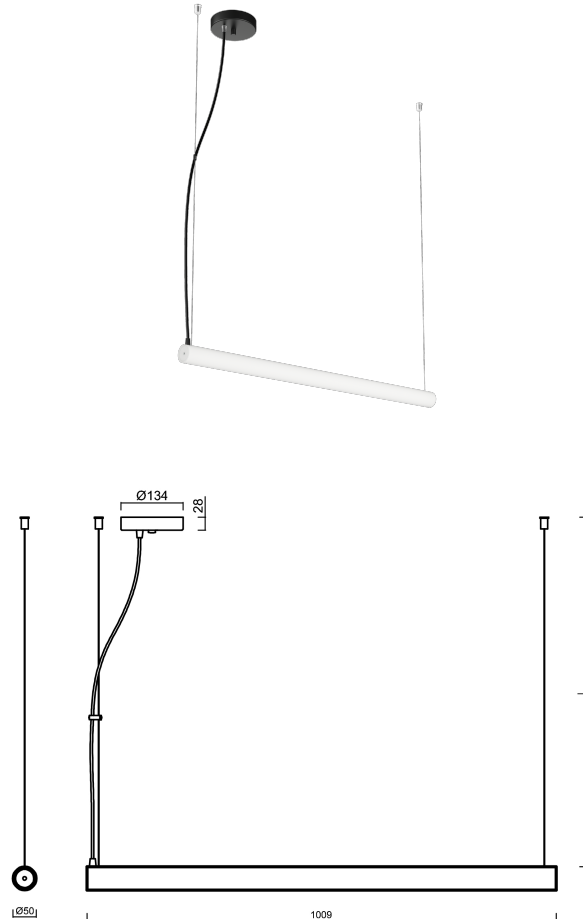
Type: LED-12L71E1050ZLH/PM822/L100 C 4K##

Short description of the luminaire: Black colour | pendant LED light ON/OFF | matt PMMA shade| steel wire pendant (with supply cable) 100 cm |



Technical data

| | |
|---------------------------|------------------------------|
| Types of luminaires | Classic on/off |
| Mounting type | Suspended - wire |
| Base material | steel |
| Shade material | opal polymethyl methacrylate |
| Base color | black Ral9005 |
| Shade color | white |
| Holding the shade | screws |
| Mounting location | ceiling |
| Width | 50 mm |
| Length | 50 mm |
| Height | 1009 mm |
| Suspension length | 1000 mm |
| mounting holes (diameter) | 2xØ5mm |
| Cable entrance | 2xØ16mm |
| Energy Class | C |
| Impact strength | IK04 |
| Operating temperature | from -20°C to +30°C |

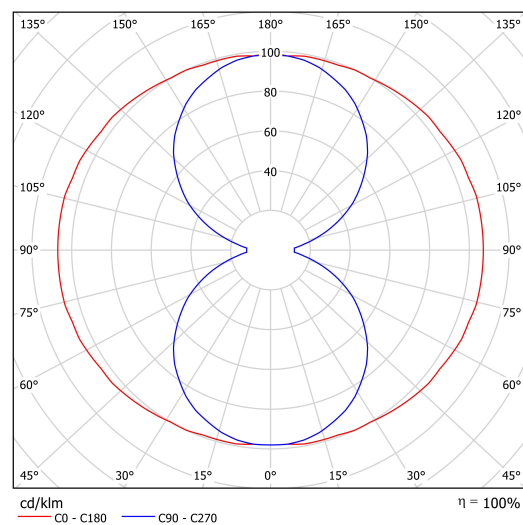


Electrical data

| | |
|-------------------------------------|---------------------|
| Power consumption | 24 W |
| Ingress Protection | IP20 |
| Socket | LED modul |
| terminal block | snap terminal block |
| Automatic circuit breaker type B10A | 31 pcs |
| Automatic circuit breaker type B16A | 50 pcs |
| Automatic circuit breaker type C10A | 52 pcs |
| Automatic circuit breaker type C16A | 85 pcs |
| Number of LED drivers | 1 |

Luminous data

| | |
|-----------------------------|--------------|
| Lum. flux of luminaire | 3430 lm |
| Lum. flux of light source | 4400 lm |
| Luminaire efficacy | 142 lm/W |
| Chromaticity temperature | 4000 K |
| Rated life time LED L80/B10 | 100000 hours |
| CRI | Ra80 |
| MacAdam | 3 |
| Blue light hazard | Risk group 0 |



Eulum data for calculation programs are available at www.osmont.cz.

OSMONT, s.r.o.
HYBRÁLEC 129,
586 01 JIHLAVA, CZ

TECHNICAL SHEET

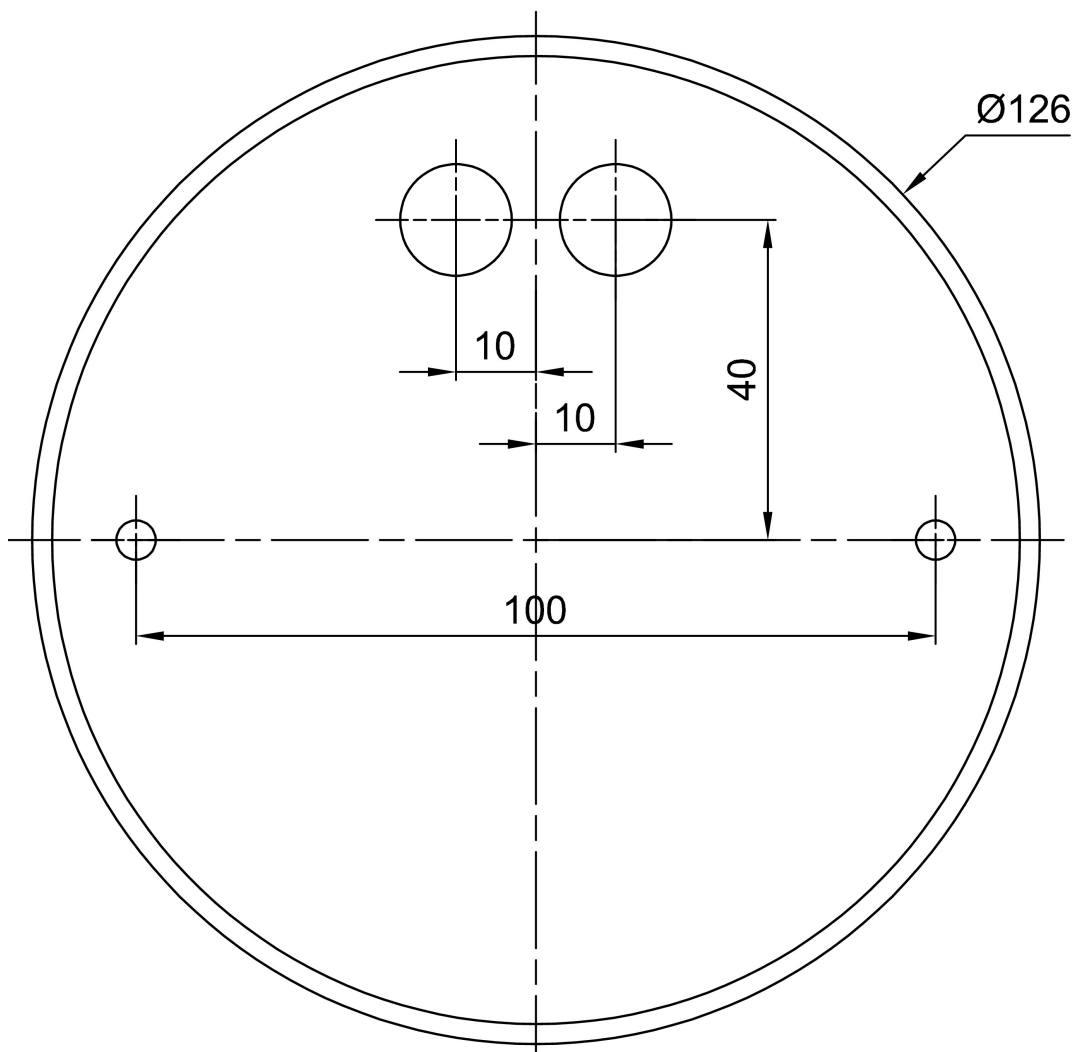


Logistical data

| | |
|-----------|---------------|
| EAN | 8591728232771 |
| Warranty* | 60 months |


*The warranty for the batteries is valid for 36 months from the date of purchase.

Installation dimensions:



Additional assortment:

Lampshade

| Product code | Name | Color | Picture | Drawing |
|--------------|-------------------------|-------|---|---------|
| 20738 | PM822 (pr.50/1009mm) | white |  | |