



STYX 1

IN-12BD1/192 CR*

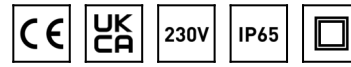
WWW.OSMONT.CZ

STYX 1

Product code: STY44981

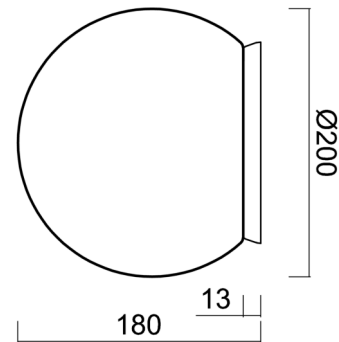
Type: IN-12BD1/192 CR*

Short description of the luminaire: Chrome surface-mounted E27 light ON/OFF with TRIPLEX OPAL glass shade.



Technical

| | |
|------------------------------|--------------------------------|
| Types of luminaires | Classic on/off |
| Mounting type | surface mounted |
| Base material | polycarbonate |
| Shade material | three-layer glass TRIPLEX OPAL |
| Base color | chrome |
| Shade color | white |
| Holding the shade | bayonet |
| Mounting location | ceiling/wall |
| Width | 200 mm |
| Length | 200 mm |
| Height | 180 mm |
| Diameter | ø 200 mm |
| mounting holes (diameter) | 4xø5mm |
| Installation wire (diameter) | 2xø16mm |
| Impact strength | IK01 |
| Operating temperature | from -20°C to +30°C |



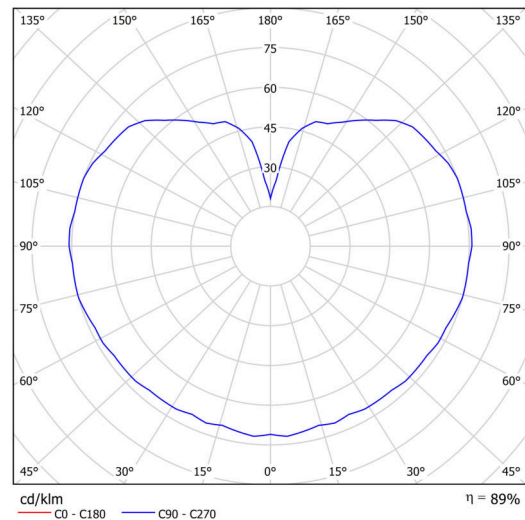
Electric

| | |
|--------------------|----------------------|
| Voltage type | AC |
| AC voltage | 220 - 240 V |
| Power consumption | 25 W |
| Coverage class | 2 |
| Ingress Protection | IP65 |
| Socket | E27 |
| terminal block | screw terminal block |

Luminous

| | |
|-------------------|--------------|
| Blue light hazard | Risk group 0 |
|-------------------|--------------|

Eulum data for calculation programs are available at www.osmont.cz.



Logistic

| | |
|-------------------|----------------------|
| EAN | 8591728449810 |
| Weight NTTO | 1 Kg |
| Weight BTTO | 1.2 Kg |
| Number of cartons | 1 pcs |
| Package volume | 0.009 m ³ |
| Package 1 width | 0.21 m |
| Package 1 length | 0.21 m |
| Package 1 height | 0.205 m |
| Warranty* | 60 months |

*The warranty for the batteries is valid for 12 months from the date of purchase.

Installation dimensions:




Additional assortment:

Base for surface mounting

| Product code | Name | Color | Description | Picture | Drawing |
|--------------|------------|------------------|-------------|--|---|
| 33521 | BD1/BP 2-1 | white Ral9003 | |  |  |

Lampshade

| Product code | Name | Color | Description | Picture | Drawing |
|--------------|------|-------|-------------|---|---------|
| 20092 | 192 | white | |  | |