



SAGITA 1

IN-12KN62/PC52 HF*

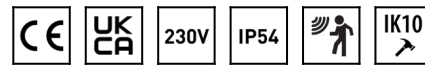
WWW.OSMONT.CZ

SAGITA 1

Product code: SAG52571

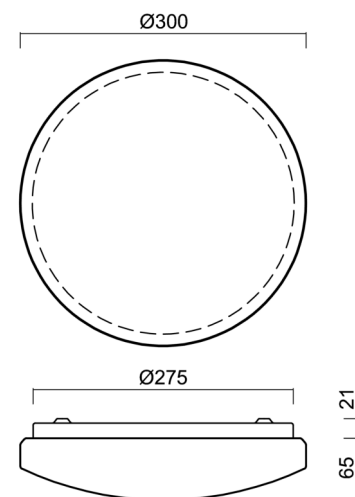
Type: IN-12KN62/PC52 HF*

Short description of the luminaire: White colour | ceiling or wall E27 light with HF sensor | opal polycarbonate shade (PC)



Technical

Types of luminaires	Sensor
Mounting type	surface mounted
Base material	steel
Shade material	opal polycarbonate
Base color	white Ral9003
Shade color	white
Holding the shade	folding system
Mounting location	ceiling/wall
Width	300 mm
Length	300 mm
Height	81 mm
Diameter	ø 300 mm
mounting holes (diameter)	3xø5mm
Cable entrance	2xø16mm
Impact strength	IK10
Operating temperature	from -20°C to +30°C



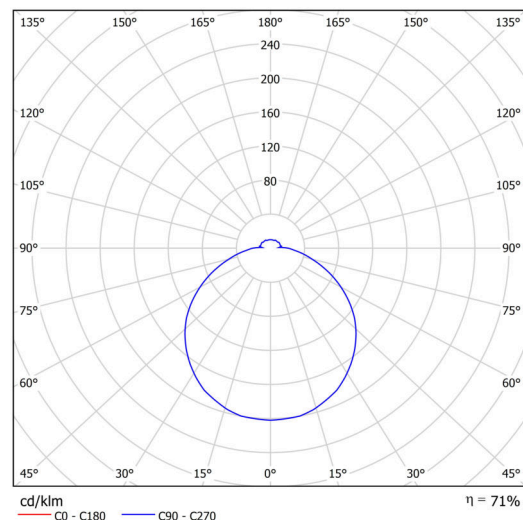
Electric

Voltage type	AC
AC voltage	220 - 240 V
Power consumption	25 W
Ingress Protection	IP54
Socket	E27
Sensor	HF
terminal block	snap terminal block

Luminous

Blue light hazard	Risk group 0
-------------------	--------------

Eulum data for calculation programs are available at www.osmont.cz.

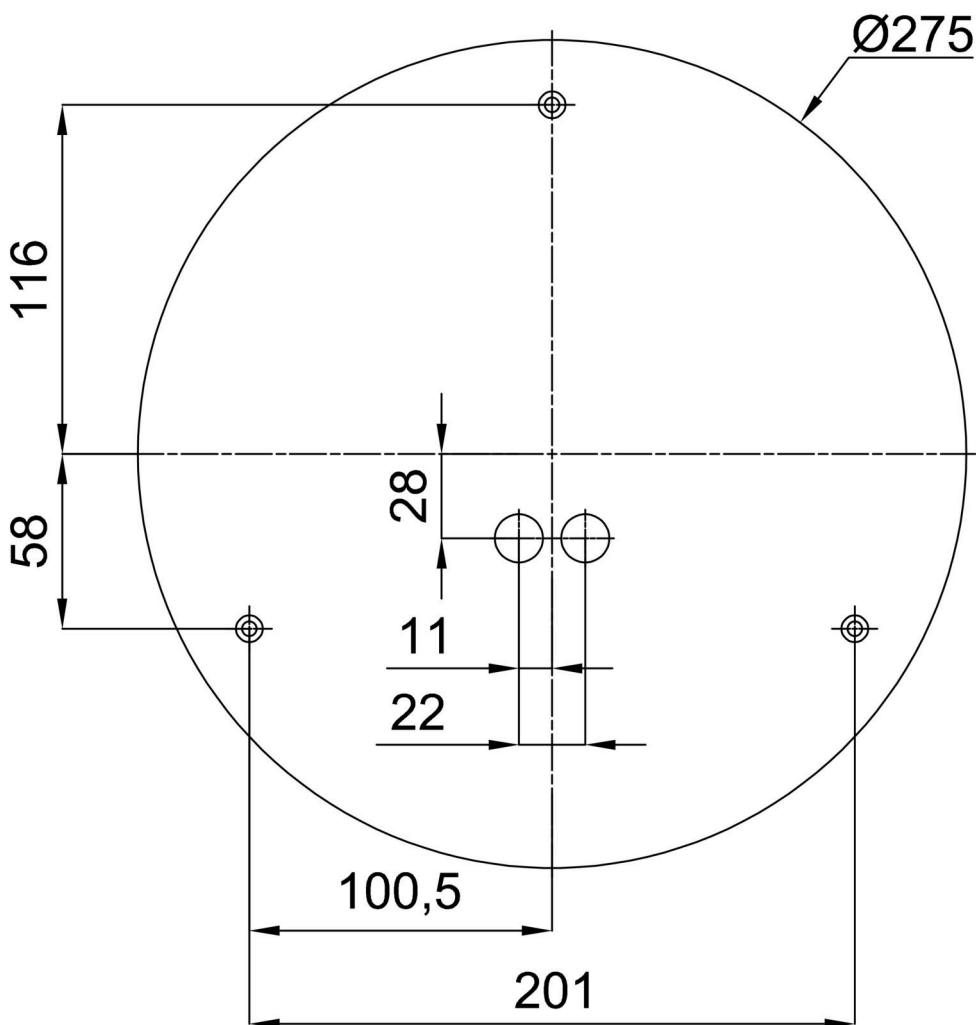


Logistic

EAN	8591728525712
Weight NTTO	0.8 Kg
Weight BTTO	1.1 Kg
Number of cartons	1 pcs
Package volume	0.01 m ³
Package 1 width	0.33 m
Package 1 length	0.315 m
Package 1 height	0.1 m
Warranty*	60 months

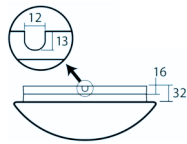
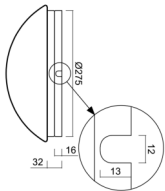
*The warranty for the batteries is valid for 12 months from the date of purchase.

Installation dimensions:



Additional assortment:

Base for surface mounting

Product code	Name	Color	Description	Picture	Drawing
33501	KN6,K6/BP	white Ra19003	příslušenství		

Lampshade

Product code	Name	Color	Description	Picture	Drawing
20553	PC52	white	příslušenství	