



## SAGITA 1

---

IN-12KN62/PC52\*

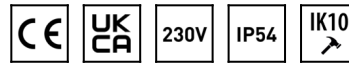
[WWW.OSMONT.CZ](http://WWW.OSMONT.CZ)

# SAGITA 1

Product code: SAG52570

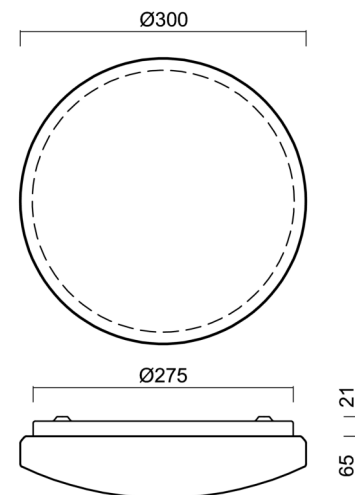
Type: IN-12KN62/PC52\*

Short description of the luminaire: White surface-mounted E27 light ON/OFF and polycarbonate shade.



## Technical

|                              |                     |
|------------------------------|---------------------|
| Types of luminaires          | Classic on/off      |
| Mounting type                | surface mounted     |
| Base material                | steel               |
| Shade material               | opal polycarbonate  |
| Base color                   | white Ral9003       |
| Shade color                  | white               |
| Holding the shade            | folding system      |
| Mounting location            | ceiling/wall        |
| Width                        | 300 mm              |
| Length                       | 300 mm              |
| Height                       | 81 mm               |
| Diameter                     | ø 300 mm            |
| mounting holes (diameter)    | 3xø5mm              |
| Installation wire (diameter) | 2xø16mm             |
| Impact strength              | IK10                |
| Operating temperature        | from -20°C to +30°C |



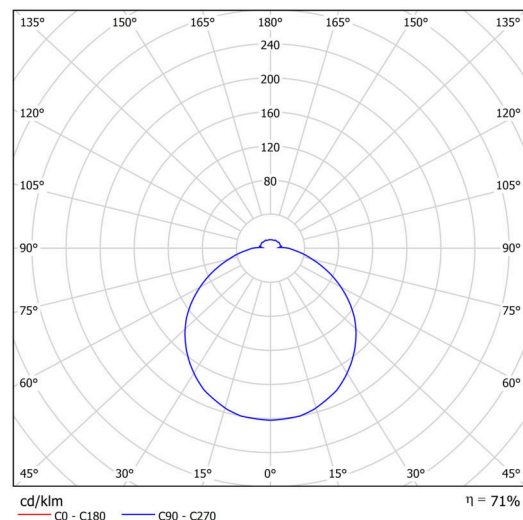
## Electric

|                    |                     |
|--------------------|---------------------|
| Voltage type       | AC                  |
| AC voltage         | 220 - 240 V         |
| Power consumption  | 25 W                |
| Ingress Protection | IP54                |
| Socket             | E27                 |
| terminal block     | snap terminal block |

## Luminous

|                   |              |
|-------------------|--------------|
| Blue light hazard | Risk group 0 |
|-------------------|--------------|

Eulum data for calculation programs are available at [www.osmont.cz](http://www.osmont.cz).

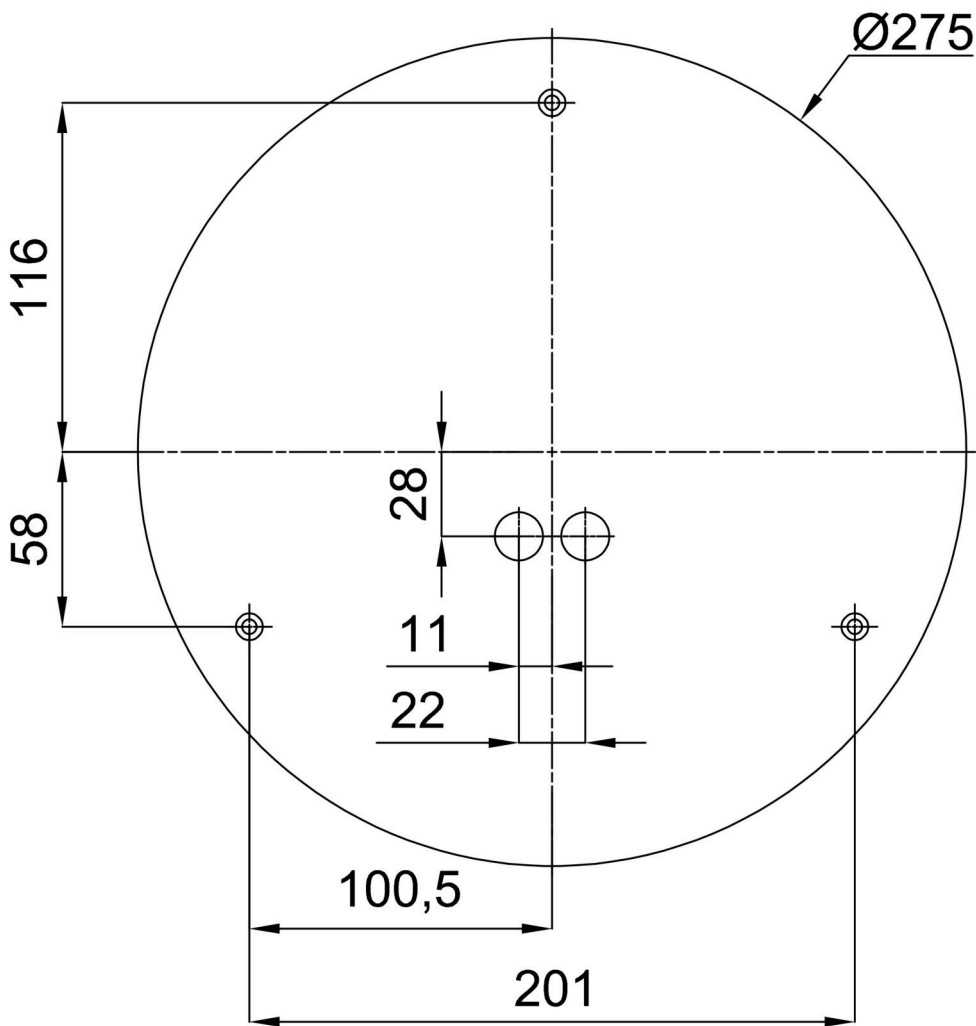


Logistic

|                   |                     |
|-------------------|---------------------|
| EAN               | 8591728525705       |
| Weight NTTO       | 0.7 Kg              |
| Weight BTTO       | 1 Kg                |
| Number of cartons | 1 pcs               |
| Package volume    | 0.01 m <sup>3</sup> |
| Package 1 width   | 0.33 m              |
| Package 1 length  | 0.315 m             |
| Package 1 height  | 0.1 m               |
| Warranty*         | 60 months           |

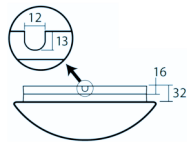
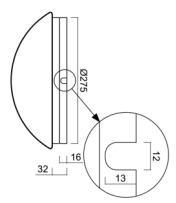
\*The warranty for the batteries is valid for 12 months from the date of purchase.

Installation dimensions:




Additional assortment:

Base for surface mounting

| Product code | Name      | Color            | Description | Picture  | Drawing   |
|--------------|-----------|------------------|-------------|--|---|
| 33501        | KN6,K6/BP | white<br>Ral9003 |             |  |  |

Lampshade

| Product code | Name | Color | Description | Picture  | Drawing |
|--------------|------|-------|-------------|--|---------|
| 20553        | PC52 | white |             |  |         |