



## SADIRA 2

---

IN-12BD13/PC67\*

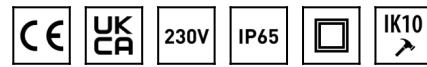
[WWW.OSMONT.CZ](http://WWW.OSMONT.CZ)

# SADIRA 2

Product code: SAD40000

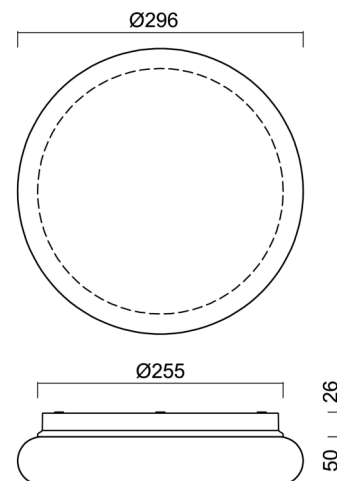
Type: IN-12BD13/PC67\*

Short description of the luminaire: White color | surface-mounted E27 light | ON/OFF | polycarbonate shade



## Technical

Types of luminaires	Classic on/off
Mounting type	surface mounted
Base material	polypropylene composite
Shade material	opal polycarbonate
Base color	white Ral9003
Shade color	white
Holding the shade	bayonet
Mounting location	ceiling/wall
Width	296 mm
Length	296 mm
Height	76 mm
Diameter	Ø 296 mm
mounting holes (diameter)	3xØ5mm
Installation wire (diameter)	2xØ16mm
Impact strength	IK10
Operating temperature	from -20°C to +30°C



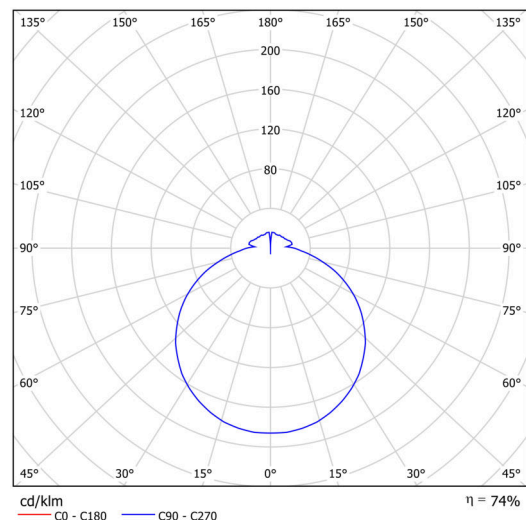
## Electric

Power consumption	10 W
Coverage class	2
Ingress Protection	IP65
Socket	E27
terminal block	snap terminal block

## Luminous

Blue light hazard	Risk group 0
-------------------	--------------

Eulum data for calculation programs are available at [www.osmont.cz](http://www.osmont.cz).



# TECHNICAL SHEET

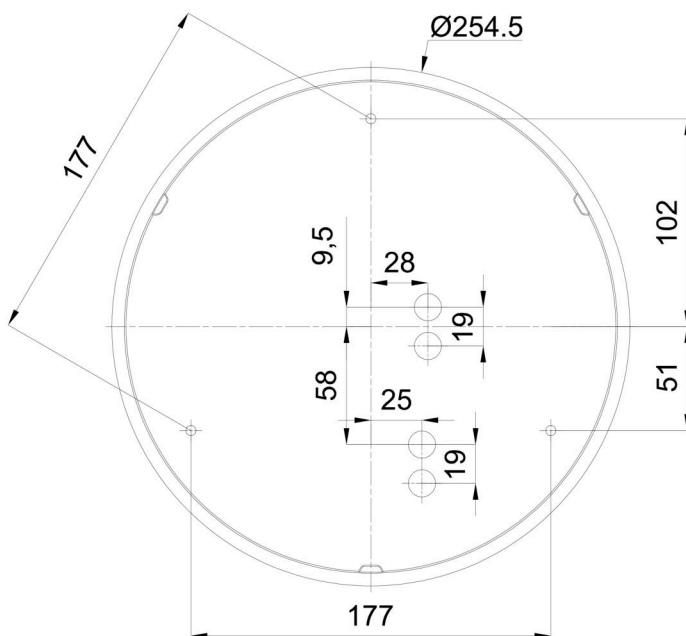


## Logistic

EAN	8591728089139
Weight NTTO	0.6 Kg
Weight BTTO	0.9 Kg
Warranty*	60 months

*\*The warranty for the batteries is valid for 12 months from the date of purchase.*

## Installation dimensions:



## Additional assortment:

## Lampshade

Product code	Name	Color	Description	Picture	Drawing
20625	PC67	white		