



## NELA DL2

---

IN-22U7/264/DL15\*

[WWW.OSMONT.CZ](http://WWW.OSMONT.CZ)

# NELA DL2

Product code: NEL44585

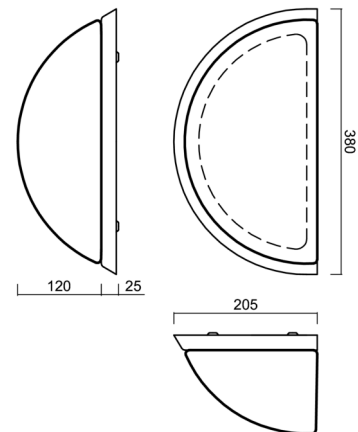
Type: IN-22U7/264/DL15\*

Short description of the luminaire: Stainless brushed surface-mounted E27 light ON/OFF with TRIPLEX OPAL glass shade.



## Technical

Types of luminaires	Classic on/off
Mounting type	surface mounted
Base material	stainless steel steel
Shade material	three-layer glass TRIPLEX OPAL
Base color	brushed stainless steel
Shade color	white
Holding the shade	screws
Mounting location	wall
Width	350 mm
Length	190 mm
Height	150 mm
mounting holes (diameter)	3xØ5mm
Installation wire (diameter)	2xØ16mm
Impact strength	IK01
Operating temperature	from -20°C to +30°C



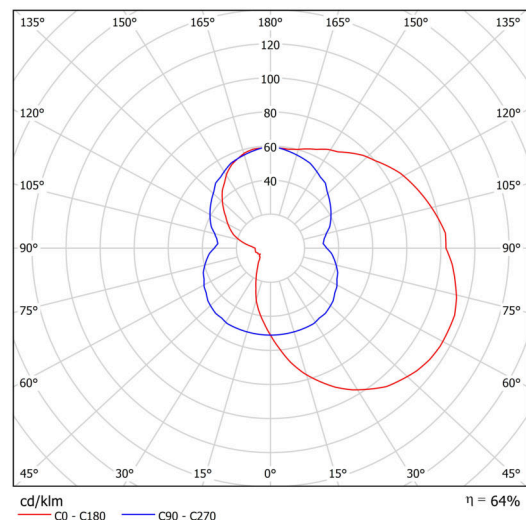
## Electric

Voltage type	AC
AC voltage	220 - 240 V
Power consumption	2x25 W
Ingress Protection	IP43
Socket	E27
terminal block	snap terminal block

## Luminous

Blue light hazard	Risk group 0
-------------------	--------------

Eulum data for calculation programs are available at [www.osmont.cz](http://www.osmont.cz).

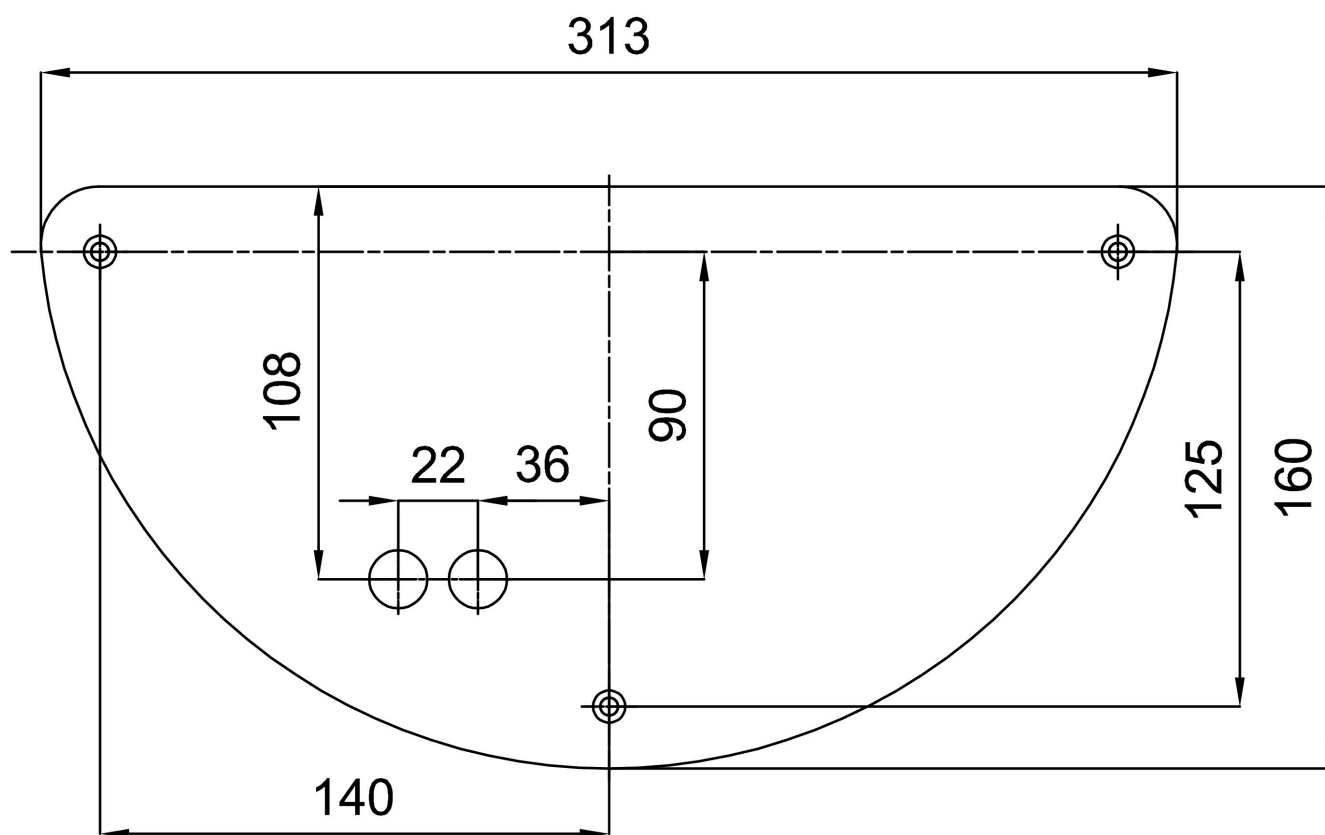


Logistic

EAN	8591728445850
Weight NTTO	2.1 Kg
Weight BTTO	2.3 Kg
Number of cartons	1 pcs
Package volume	0.014 m <sup>3</sup>
Package 1 width	0.42 m
Package 1 length	0.21 m
Package 1 height	0.16 m
Warranty*	60 months

\*The warranty for the batteries is valid for 12 months from the date of purchase.

Installation dimensions:



## Additional assortment:

## Lampshade

Product code	Name	Color	Description	Picture	Drawing
20021	264	white		