



## MATAR 1A

---

LED-1L70E250PA04/PC70 B DALI 3K#

[WWW.OSMONT.CZ](http://WWW.OSMONT.CZ)

# MATAR 1A

Product code: MAT60097

Type: LED-1L70E250PA04/PC70 B DALI 3K#

Short description of the luminaire: White colour | ceiling or wall LED light DALI | opal polycarbonate shade (PC)



## Technical data

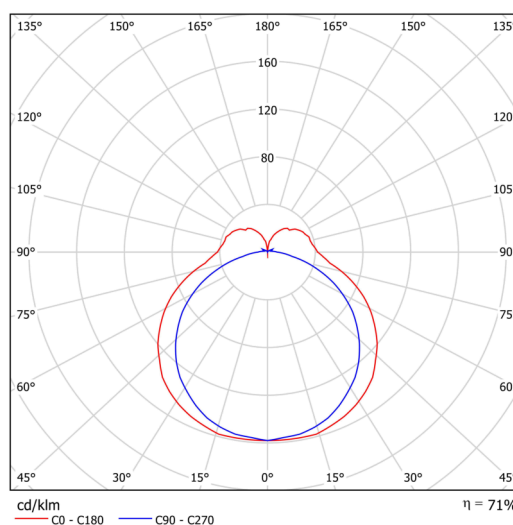
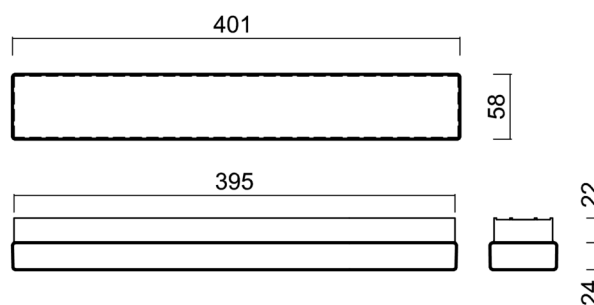
Types of luminaires	Dimmable
Mounting type	surface mounted
Base material	aluminium
Shade material	opal polycarbonate
Base color	white Ra9003
Shade color	white
Holding the shade	spring
Mounting location	ceiling/wall
Width	401 mm
Length	58 mm
Height	46 mm
mounting holes (diameter)	2xØ5mm
Cable entrance	2xØ16mm
Energy Class	C
Impact strength	IK10
Operating temperature	from -20°C to +30°C

## Electrical data

Power consumption	6 W
Ingress Protection	IP44
Socket	LED modul
terminal block	snap terminal block
Automatic circuit breaker type B10A	39 pcs
Automatic circuit breaker type B16A	63 pcs
Automatic circuit breaker type C10A	63 pcs
Automatic circuit breaker type C16A	101 pcs
Switching current	7,9 A / 2,6 µsec
Number of LED drivers	1

## Luminous data

Lum. flux of luminaire	720 lm
Lum. flux of light source	1020 lm
Luminaire efficacy	120 lm/W
Chromaticity temperature	3000 K
Rated life time LED L80/B10	100000 hours
CRI	Ra80
MacAdam	3
Blue light hazard	Risk group 0



Eulum data for calculation programs are available at [www.osmont.cz](http://www.osmont.cz).

# TECHNICAL SHEET

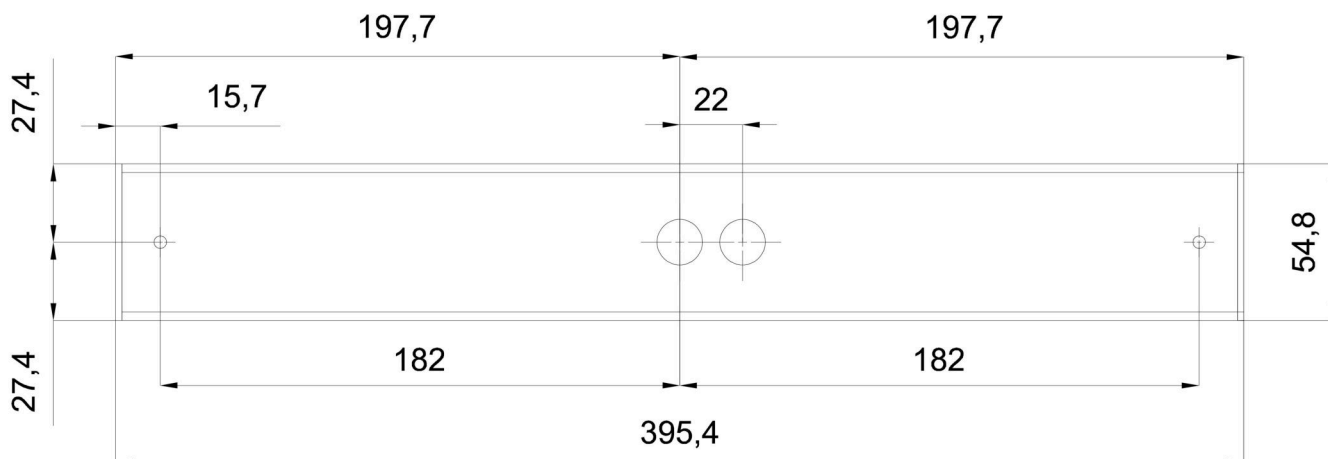


## Logistical data

EAN	8591728230173
Number of cartons	1 pcs
Warranty*	60 months

*\*The warranty for the batteries is valid for 36 months from the date of purchase.*

## Installation dimensions:



Additional assortment:

Lampshade

Product code	Name	Color	Picture	Drawing
20723	PC70	white	