



MATAR 1

LED-1L79E350PA06/PC71 C DALI 3/35/4K

WWW.OSMONT.CZ

MATAR 1

Product code: MAT71585

Type: LED-1L79E350PA06/PC71 C DALI 3/35/4K

Short description of the luminaire: Black colour | ceiling or wall LED light DALI | opal polycarbonate shade (PC)



Technical data

Types of luminaires	Dimmable
Mounting type	surface mounted
Base material	aluminium
Shade material	opal polycarbonate
Base color	black Ral9005
Shade color	white
Holding the shade	spring
Mounting location	ceiling/wall
Width	604 mm
Length	58 mm
Height	46 mm
mounting holes (diameter)	2xØ5mm
Cable entrance	2xØ16mm
Energy Class	D
Impact strength	IK10
Operating temperature	from -20°C to +30°C



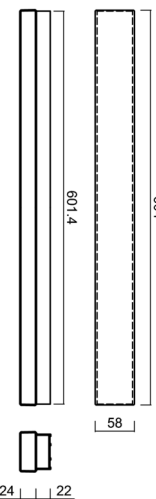
Electrical data

Power consumption	13 W
Ingress Protection	IP44
Socket	LED modul
terminal block	snap terminal block

Luminous data

Lum. flux of luminaire	1490/1550 lm
Lum. flux of light source	2100/2190 lm
Chromaticity temperature	3000/3500/4000 K
Rated life time LED L80/B10	100000 hours
CRI	Ra80
MacAdam	3
Blue light hazard	Risk group 0

Eulum data for calculation programs are available at www.osmont.cz.



TECHNICAL SHEET

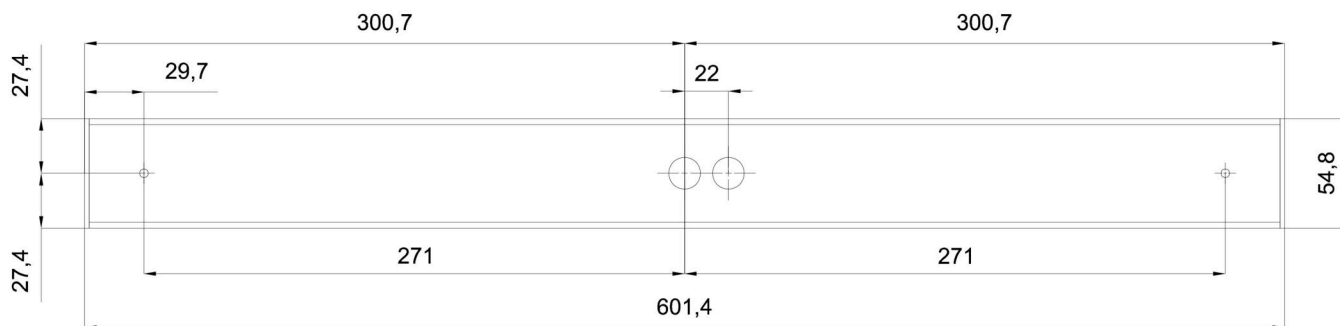


Logistical data

EAN	8591728230791
Weight NTTO	0.65 Kg
Weight BTTO	0.85 Kg
Number of cartons	1 pcs
Warranty*	60 months

**The warranty for the batteries is valid for 36 months from the date of purchase.*

Installation dimensions:



Additional assortment:

Lampshade

Product code	Name	Color	Picture	Drawing
20608	PC71	white	