



MATAR 1

LED-1L79EMP350PA06/PC71 C 3/35/4K

WWW.OSMONT.CZ

MATAR 1

Product code: MAT71584

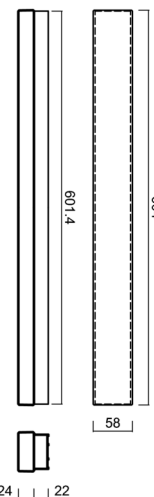
Type: LED-1L79EMP350PA06/PC71 C 3/35/4K

Short description of the luminaire: Black colour | ceiling or wall LED light ON/OFF | multipower driver | opal polycarbonate shade (PC)



Technical data

Types of luminaires	Classic on/off
Mounting type	surface mounted
Base material	aluminium
Shade material	opal polycarbonate
Base color	black Ral9005
Shade color	white
Holding the shade	spring
Mounting location	ceiling/wall
Width	604 mm
Length	58 mm
Height	46 mm
mounting holes (diameter)	2xØ5mm
Cable entrance	2xØ16mm
Energy Class	D
Impact strength	IK10
Operating temperature	from -20°C to +30°C



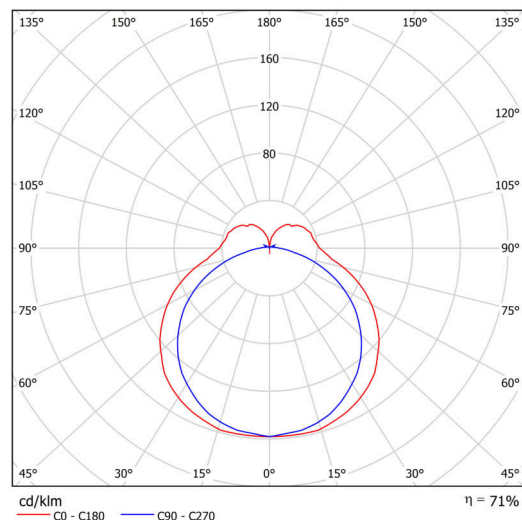
Electrical data

Power consumption	13 W
Ingress Protection	IP44
Socket	LED modul
terminal block	snap terminal block

Luminous data

Lum. flux of luminaire	1490/1550 lm
Lum. flux of light source	2100/2190 lm
Chromaticity temperature	3000/3500/4000 K
Rated life time LED L80/B10	100000 hours
CRI	Ra80
MacAdam	3
Blue light hazard	Risk group 0

Eulum data for calculation programs are available at www.osmont.cz.



TECHNICAL SHEET

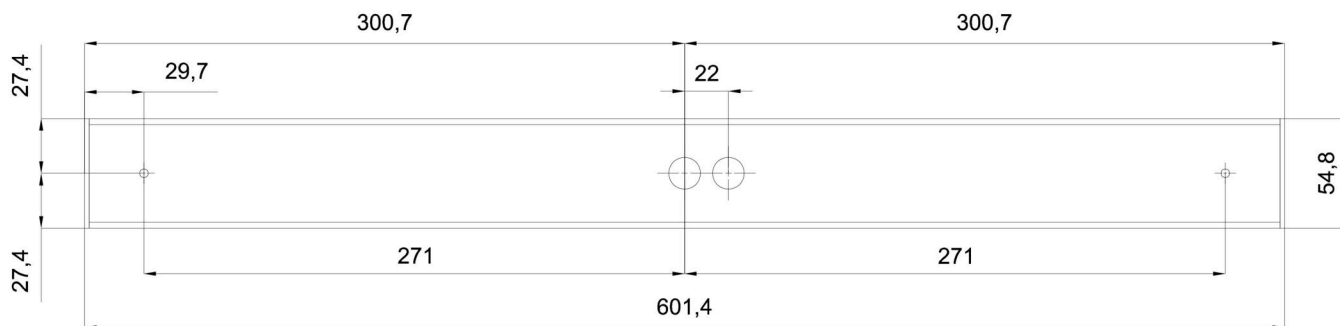


Logistical data

EAN	8591728230784
Weight NTTO	0.65 Kg
Weight BTTO	0.85 Kg
Number of cartons	1 pcs
Warranty*	60 months

**The warranty for the batteries is valid for 36 months from the date of purchase.*

Installation dimensions:



Additional assortment:

Lampshade

Product code	Name	Color	Picture	Drawing
20608	PC71	white	