



MATAR 1

LED-1L79E250PA06/PC71 B 3/35/4K##

WWW.OSMONT.CZ

MATAR 1

Product code: MAT71578

Type: LED-1L79E250PA06/PC71 B 3/35/4K##

Short description of the luminaire: White colour | ceiling or wall LED light ON/OFF | opal polycarbonate shade (PC)



Technical data

Types of luminaires	Classic on/off
Mounting type	surface mounted
Base material	aluminium
Shade material	opal polycarbonate
Base color	white Ra9003
Shade color	white
Holding the shade	spring
Mounting location	ceiling/wall
Width	604 mm
Length	58 mm

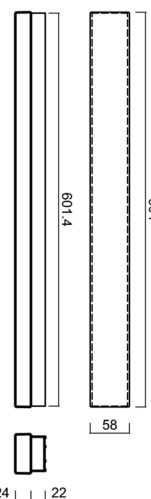


Electrical data

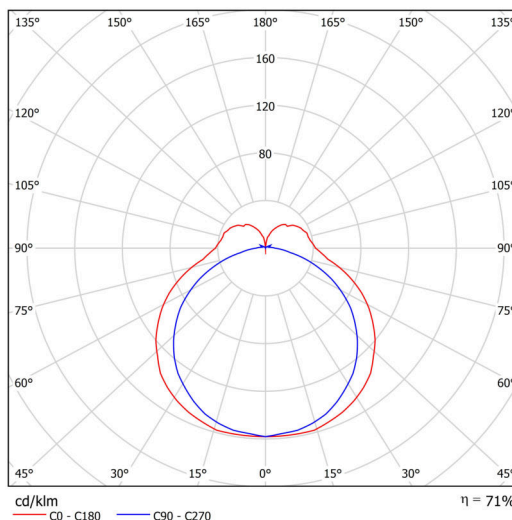
Power consumption	9 W
Ingress Protection	IP44
Socket	LED modul
terminal block	snap terminal block

Luminous data

Lum. flux of luminaire	1090/1140 lm
Lum. flux of light source	1540/1600 lm
Chromaticity temperature	3000/3500/4000 K
Rated life time LED L80/B10	100000 hours
CRI	Ra80
MacAdam	3
Blue light hazard	Risk group 0



Eulum data for calculation programs are available at www.osmont.cz.



TECHNICAL SHEET

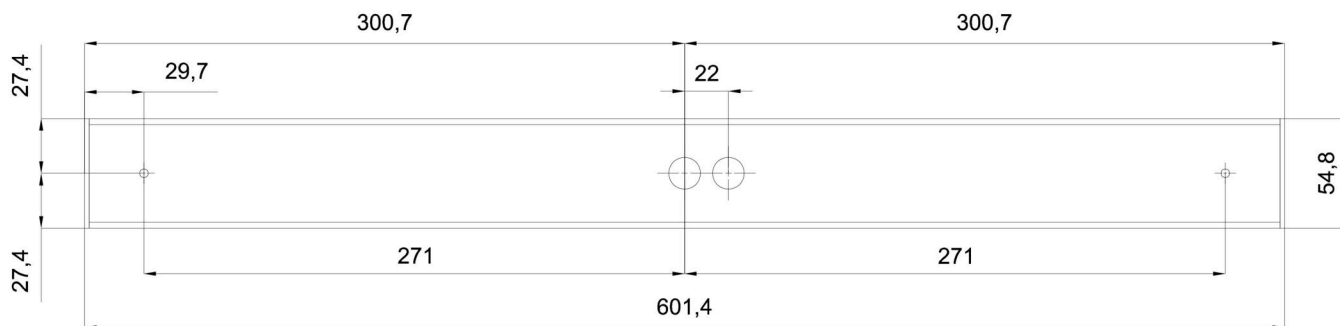


Logistical data

EAN	8591728230722
Weight NTTO	0.65 Kg
Weight BTTO	0.85 Kg
Number of cartons	1 pcs
Warranty*	60 months

**The warranty for the batteries is valid for 36 months from the date of purchase.*

Installation dimensions:



Additional assortment:

Lampshade

Product code	Name	Color	Picture	Drawing
20608	PC71	white	