



MATAR 1

LED-1L79E250PA06/PC71 NK3H B 3K##

WWW.OSMONT.CZ

MATAR 1

Product code: MAT60104

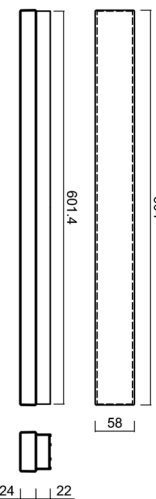
Type: LED-1L79E250PA06/PC71 NK3H B 3K##

Short description of the luminaire: White colour | ceiling or wall LED light with emergency backup combined | opal polycarbonate shade (PC)



Technical data

Types of luminaires	Emergency combined
Mounting type	surface mounted
Base material	aluminium
Shade material	opal polycarbonate
Base color	white Ral9003
Shade color	white
Holding the shade	spring
Mounting location	ceiling/wall
Width	604 mm
Length	58 mm
Height	46 mm
mounting holes (diameter)	2xØ5mm
Cable entrance	2xØ16mm
Energy Class	D
Impact strength	IK10
Operating temperature	from -20°C to +30°C



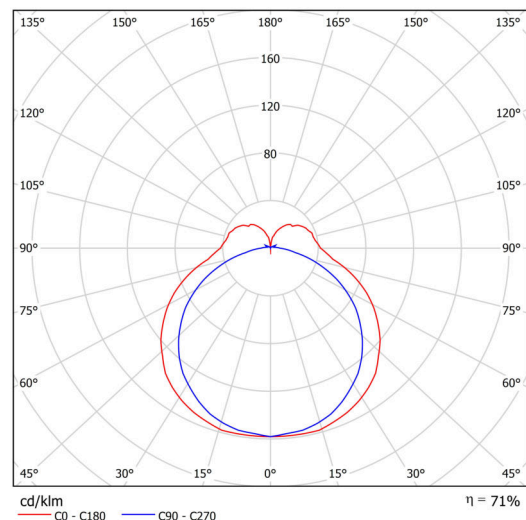
Electrical data

Power consumption	9 W
Ingress Protection	IP44
Socket	LED modul
Battery type	LiFePO4
Emergency time	3 hours
terminal block	snap terminal block

Luminous data

Lum. flux of luminaire	1090 lm
Lum. flux of light source	1540 lm
Lum. flux of light source in emergency mode	200 lm
Chromaticity temperature	3000 K
Rated life time LED L80/B10	100000 hours
CRI	Ra80
MacAdam	3
Blue light hazard	Risk group 0

Eulum data for calculation programs are available at www.osmont.cz.



TECHNICAL SHEET

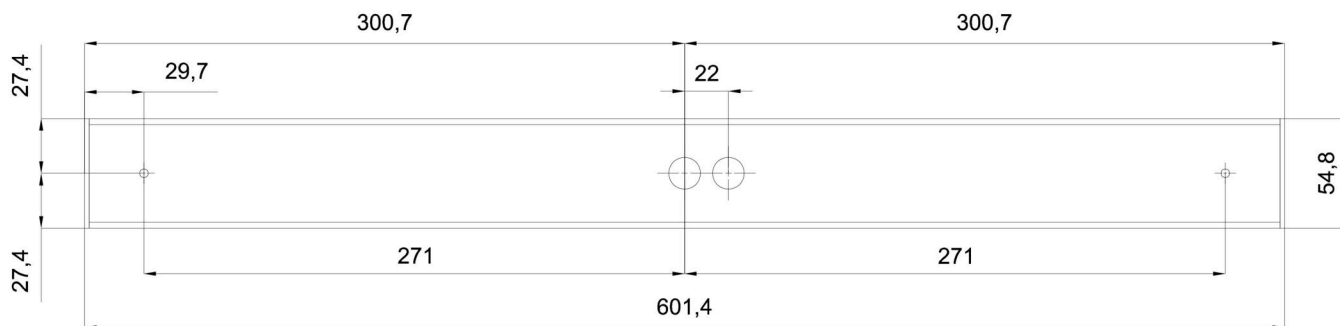


Logistical data

EAN	8591728230241
Weight NTTO	0.65 Kg
Weight BTTO	0.85 Kg
Number of cartons	1 pcs
Warranty*	60 months

**The warranty for the batteries is valid for 36 months from the date of purchase.*

Installation dimensions:



Additional assortment:

Lampshade

Product code	Name	Color	Picture	Drawing
20608	PC71	white	