



## LUKIDA ST3

LED-5L06E600ZST/096/L100 KP 0 3K##

[WWW.OSMONT.CZ](http://WWW.OSMONT.CZ)

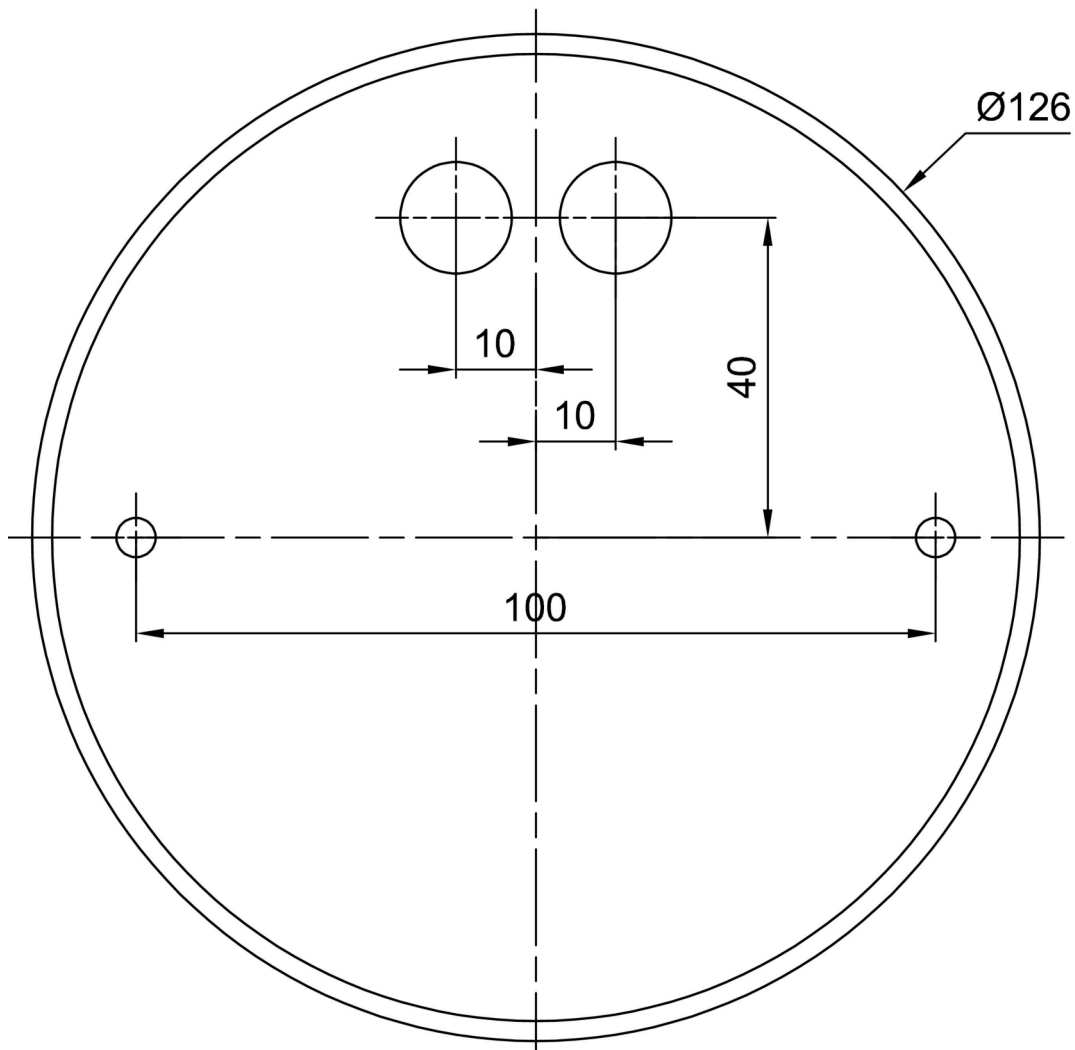


Logistic

EAN	8591728086695
Number of cartons	1 pcs
Warranty*	60 months

\*The warranty for the batteries is valid for 12 months from the date of purchase.

Installation dimensions:



Additional assortment:

## Lampshade

Product code	Name	Color	Description	Picture	Drawing
20040	096	white		