



LUKIDA ST3

ZST/096/L100 KP B**

WWW.OSMONT.CZ

LUKIDA ST3

Product code: LUK40018

Type: ZST/096/L100 KP B**

Short description of the luminaire: White color | pendant E27 light | ON/OFF | TRIPLEX OPAL glass shade with matt surface | decorative collar



Technical

Types of luminaires	Classic on/off
Mounting type	Suspended - textile cable
Base material	steel
Shade material	three-layer glass TRIPLEX OPAL
Base color	white Ral9003
Shade color	white
Holding the shade	bayonet
Mounting location	ceiling
Width	565 mm
Length	565 mm
Height	400 mm
Diameter	ø 565 mm
Hinge length	1000 mm
mounting holes (diameter)	none
Installation wire (diameter)	none
Impact strength	IK01
Operating temperature	from -20°C to +30°C

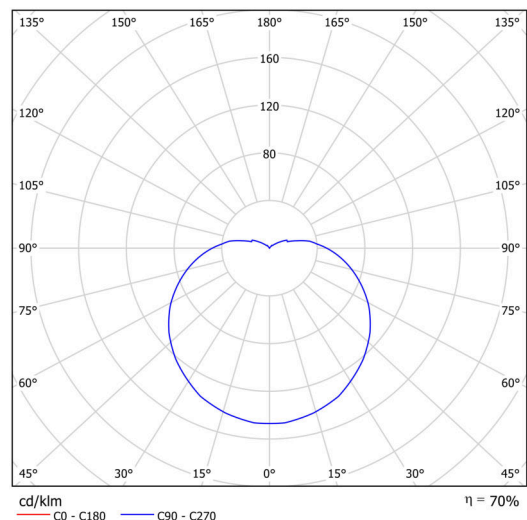
Electric

Power consumption	40 W
Ingress Protection	IP40
Socket	E27
terminal block	none

Luminous

Blue light hazard	Risk group 0
-------------------	--------------

Eulum data for calculation programs are available at www.osmont.cz.



TECHNICAL SHEET

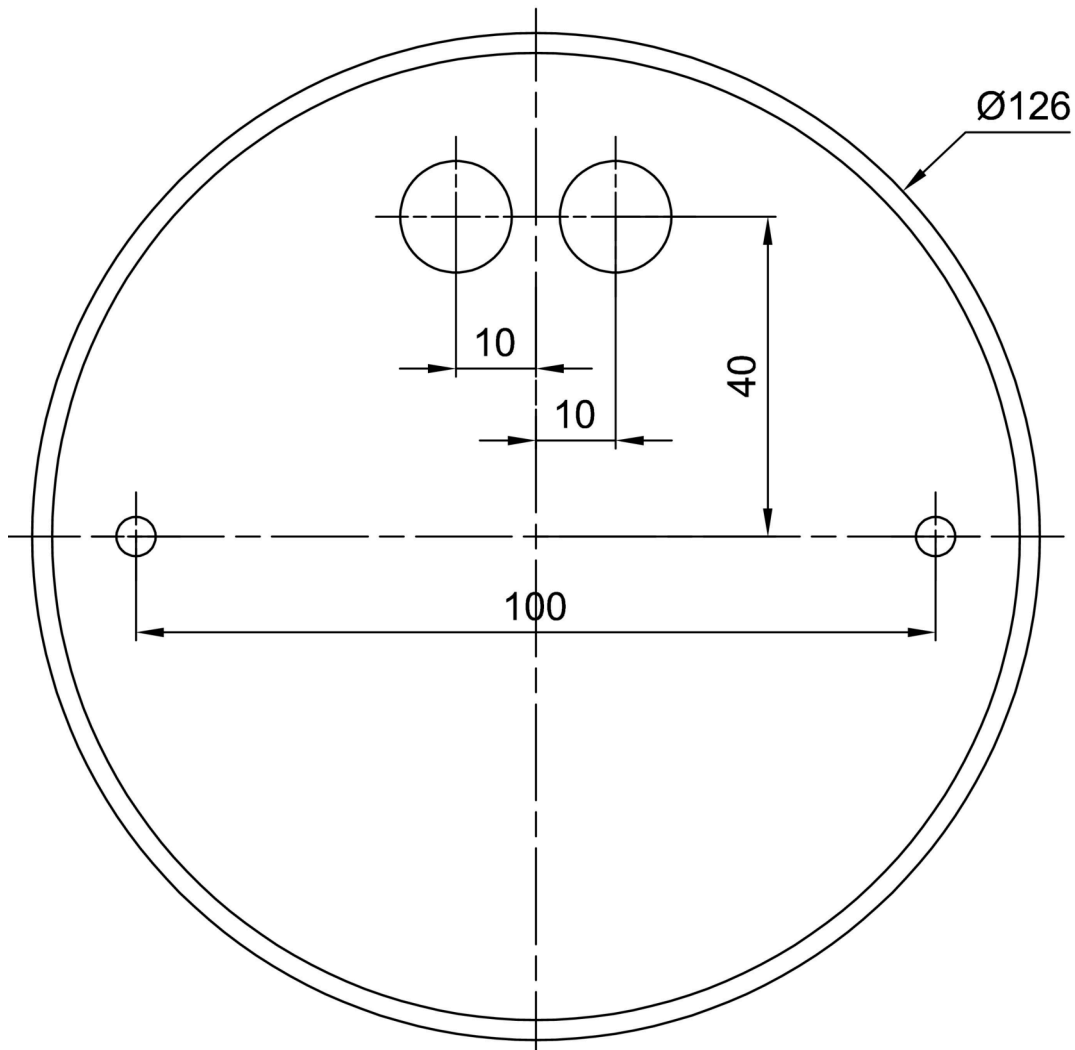


Logistic

EAN	8591728086190
Number of cartons	1 pcs
Warranty*	60 months

**The warranty for the batteries is valid for 12 months from the date of purchase.*

Installation dimensions:



Additional assortment:

Lampshade

Product code	Name	Color	Description	Picture	Drawing
20040	096	white			