

LUKIDA ST2

LED-5L06E450ZST/094/L100 KP GB 3K#

WWW.OSMONT.CZ

LUKIDA ST2

Product code: LUK60030

Type: LED-5L06E450ZST/094/L100 KP GB 3K#

Short description of the luminaire: Golden beach color | pendant LED light | ON/OFF | TRIPLEX OPAL glass shade with matt surface | decorative collar



Technical

| | |
|------------------------------|--------------------------------|
| Types of luminaires | Classic on/off |
| Mounting type | Suspended - textile cable |
| Base material | steel |
| Shade material | three-layer glass TRIPLEX OPAL |
| Base color | Golden Beach RAL1015 |
| Shade color | white |
| Holding the shade | bayonet |
| Mounting location | ceiling |
| Width | 430 mm |
| Length | 430 mm |
| Height | 300 mm |
| Diameter | ø 430 mm |
| Hinge length | 1000 mm |
| mounting holes (diameter) | none |
| Installation wire (diameter) | none |
| Energy Class | D |
| Impact strength | IK01 |
| Operating temperature | from -20°C to +30°C |

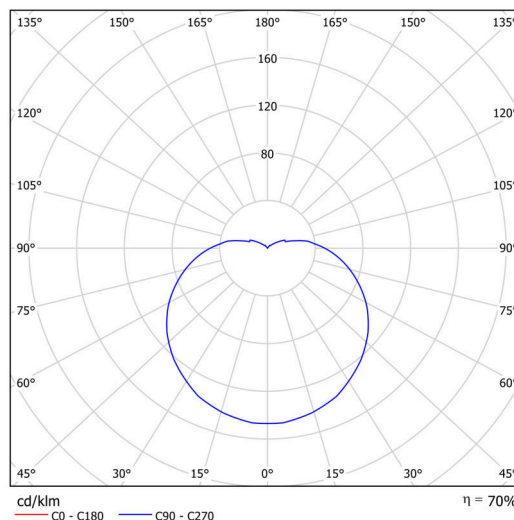


Electric

| | |
|-------------------------------------|-----------|
| Power consumption | 20 W |
| Ingress Protection | IP40 |
| Socket | LED modul |
| terminal block | none |
| Automatic circuit breaker type B10A | 31 pcs |
| Automatic circuit breaker type B16A | 50 pcs |
| Automatic circuit breaker type C10A | 52 pcs |
| Automatic circuit breaker type C16A | 85 pcs |

Luminous

| | |
|-----------------------------|--------------|
| Lum. flux of luminaire | 2180 lm |
| Lum. flux of light source | 3360 lm |
| Luminaire efficacy | 109 lm/W |
| Temperature | 3000 K |
| Rated life time LED L80/B10 | 100000 hours |
| CRI | Ra80 |
| MacAdam | 3 |
| Blue light hazard | Risk group 0 |



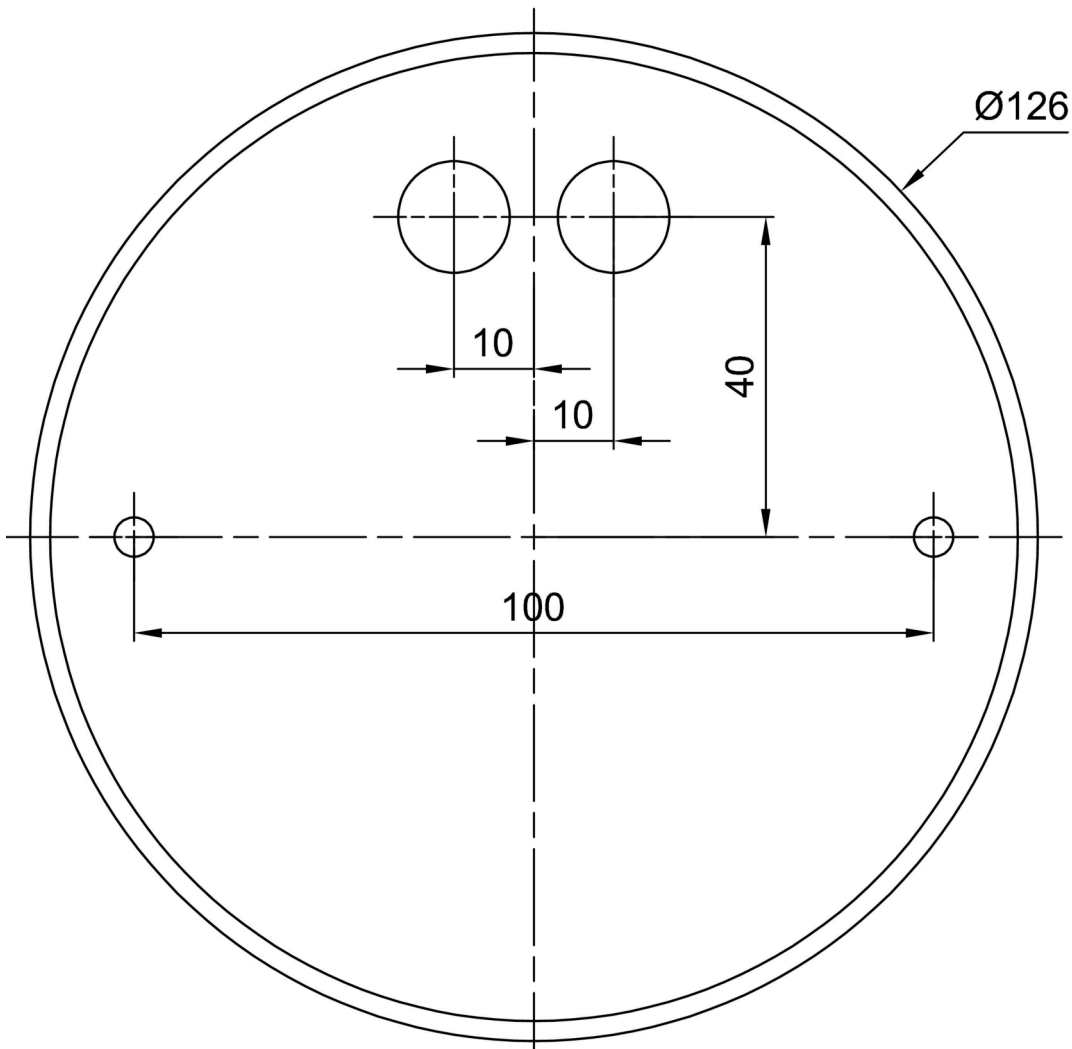
Eulum data for calculation programs are available at

Logistic

| | |
|-------------------|---------------|
| EAN | 8591728086558 |
| Weight NTTO | 5 Kg |
| Weight BTTO | 5.4 Kg |
| Number of cartons | 2 pcs |
| Package 1 width | 0.47 m |
| Package 1 length | 0.46 m |
| Package 1 height | 0.23 m |
| Warranty* | 60 months |


*The warranty for the batteries is valid for 12 months from the date of purchase.

Installation dimensions:



Additional assortment:

Lampshade

| Product code | Name | Color | Description | Picture | Drawing |
|--------------|------|-------|-------------|---|---------|
| 20039 | 094 | white | |  | |