



## LUKIDA 3

---

LED-5L06E600BD1/196 KP T 4K##

[WWW.OSMONT.CZ](http://WWW.OSMONT.CZ)

# LUKIDA 3

Product code: LUK60522

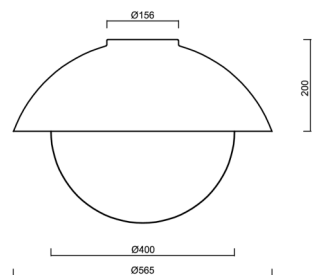
Type: LED-5L06E600BD1/196 KP T 4K##

Short description of the luminaire: Terracotta color | surface-mounted LED light | ON/OFF | TRIPLEX OPAL glass shade with matt surface | decorative collar



## Technical

Types of luminaires	Classic on/off
Mounting type	surface mounted
Base material	steel
Shade material	three-layer glass TRIPLEX OPAL
Base color	terracotta Ral2013
Shade color	white
Holding the shade	bayonet
Mounting location	ceiling/wall
Width	565 mm
Length	565 mm
Height	400 mm
Diameter	ø 565 mm
mounting holes (diameter)	4xø5mm
Installation wire (diameter)	2xø16mm
Energy Class	D
Impact strength	IK01

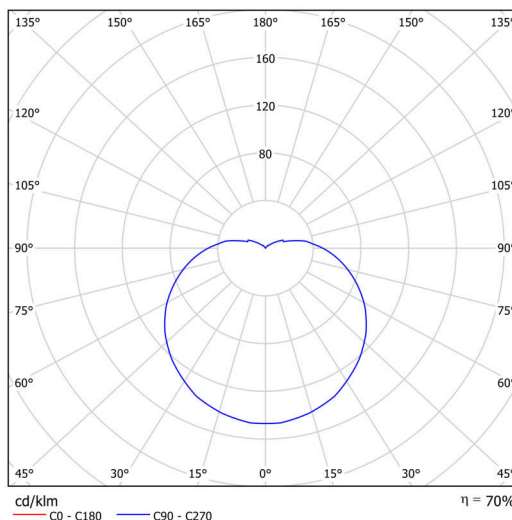


## Electric

Power consumption	27 W
Ingress Protection	IP65
Socket	LED modul
terminal block	screw terminal block
Automatic circuit breaker type B10A	31 pcs
Automatic circuit breaker type B16A	50 pcs
Automatic circuit breaker type C10A	52 pcs
Automatic circuit breaker type C16A	85 pcs

## Luminous

Lum. flux of luminaire	3010 lm
Lum. flux of light source	4630 lm
Luminaire efficacy	111 lm/W
Temperature	4000 K
Rated life time LED L80/B10	100000 hours
CRI	Ra80
MacAdam	3
Blue light hazard	Risk group 0



Eulum data for calculation programs are available at [www.osmont.cz](http://www.osmont.cz).

# TECHNICAL SHEET

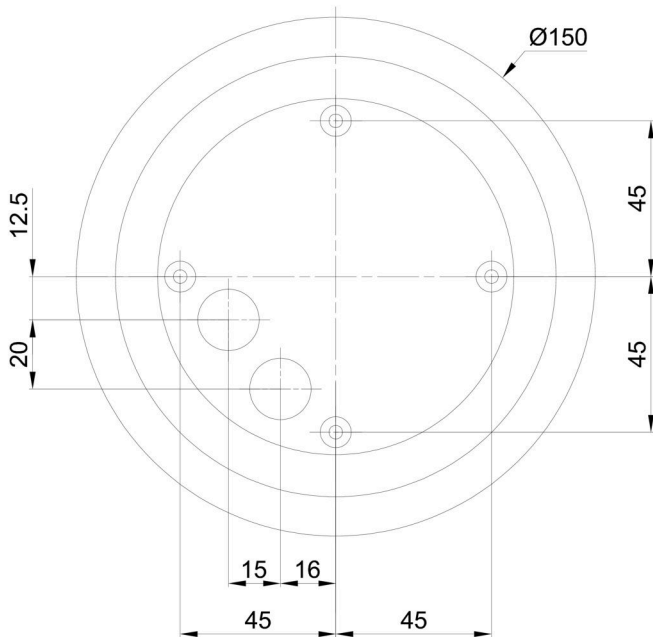


## Logistic

EAN	8591728086954
Number of cartons	1 pcs
Warranty*	60 months

*\*The warranty for the batteries is valid for 12 months from the date of purchase.*

## Installation dimensions:



Additional assortment:

Base for surface mounting

Product code	Name	Color	Description	Picture	Drawing
33521	BD1/BP 2-1	white Ral9003			

Lampshade

Product code	Name	Color	Description	Picture	Drawing
20095	196	white		