



LUKIDA 2

LED-5L06E450BD1/194 KP T DALI 4K#

WWW.OSMONT.CZ

LUKIDA 2

Product code: LUK60511

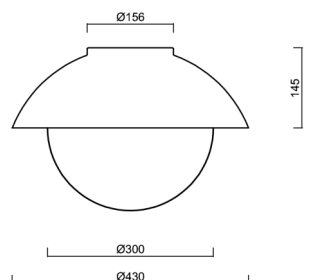
Type: LED-5L06E450BD1/194 KP T DALI 4K#

Short description of the luminaire: Terracotta color | surface-mounted LED light | dimmable DALI | TRIPLEX OPAL glass shade with matt surface | decorative collar



Technical

| | |
|------------------------------|--------------------------------|
| Types of luminaires | Dimmable |
| Mounting type | surface mounted |
| Base material | steel |
| Shade material | three-layer glass TRIPLEX OPAL |
| Base color | terracotta Ral2013 |
| Shade color | white |
| Holding the shade | bayonet |
| Mounting location | ceiling/wall |
| Width | 430 mm |
| Length | 430 mm |
| Height | 295 mm |
| Diameter | ø 430 mm |
| mounting holes (diameter) | 4xø5mm |
| Installation wire (diameter) | 2xø16mm |
| Energy Class | D |
| Impact strength | IK01 |
| Operating temperature | from -20°C to +30°C |

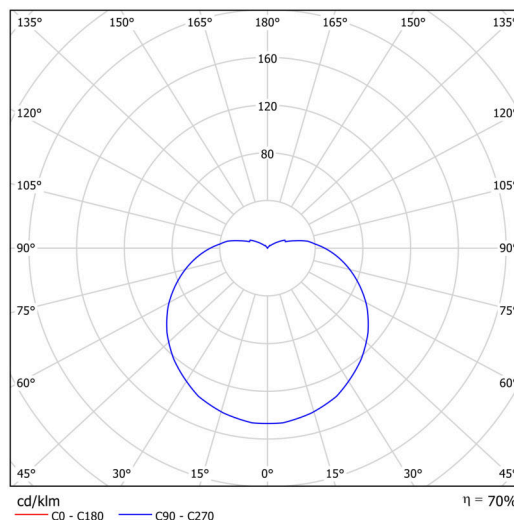


Electric

| | |
|-------------------------------------|----------------------|
| Power consumption | 20 W |
| Ingress Protection | IP65 |
| Socket | LED modul |
| terminal block | screw terminal block |
| Automatic circuit breaker type B10A | 31 pcs |
| Automatic circuit breaker type B16A | 50 pcs |
| Automatic circuit breaker type C10A | 52 pcs |
| Automatic circuit breaker type C16A | 85 pcs |

Luminous

| | |
|-----------------------------|--------------|
| Lum. flux of luminaire | 2280 lm |
| Lum. flux of light source | 3510 lm |
| Luminaire efficacy | 114 lm/W |
| Temperature | 4000 K |
| Rated life time LED L80/B10 | 100000 hours |
| CRI | Ra80 |
| MacAdam | 3 |
| Blue light hazard | Risk group 0 |



Eulum data for calculation programs are available at www.osmont.cz.

TECHNICAL SHEET

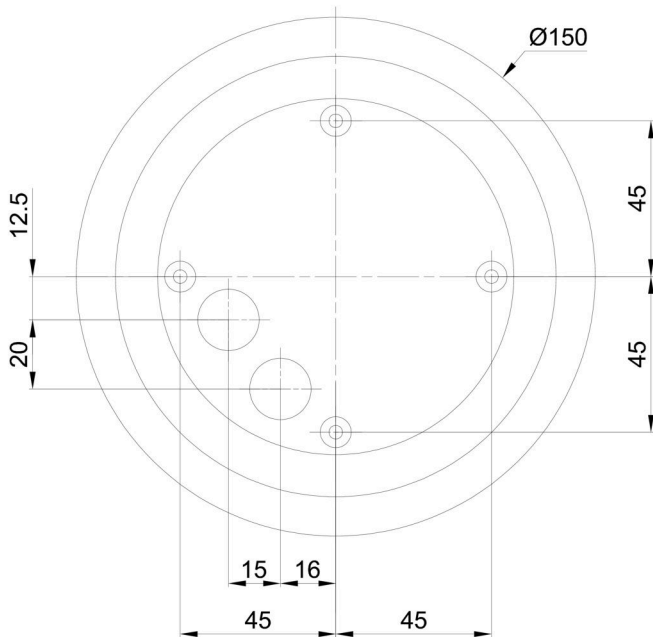


Logistic

| | |
|-------------------|---------------|
| EAN | 8591728086848 |
| Number of cartons | 1 pcs |
| Warranty* | 60 months |


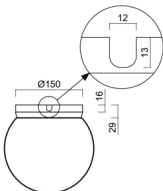
**The warranty for the batteries is valid for 12 months from the date of purchase.*

Installation dimensions:




Additional assortment:

Base for surface mounting

| Product code | Name | Color | Description | Picture | Drawing |
|--------------|------------|------------------|-------------|--|---|
| 33521 | BD1/BP 2-1 | white Ral9003 | |  |  |

Lampshade

| Product code | Name | Color | Description | Picture | Drawing |
|--------------|------|-------|-------------|---|---------|
| 20094 | 194 | white | |  | |