



KUMA LE3

LED-5L76E1050ZLE/437/L100 B 3K##

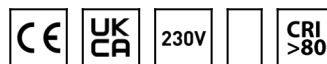
WWW.OSMONT.CZ

KUMA LE3

Product code: KUM70485

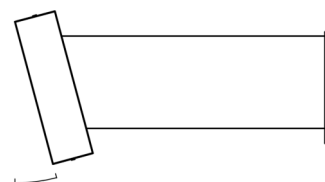
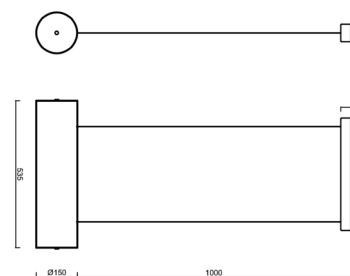
Type: LED-5L76E1050ZLE/437/L100 B 3K##

Short description of the luminaire: White pendant LED light ON/OFF with TRIPLEX OPAL glass shade



Technical

Types of luminaires	Classic on/off
Mounting type	Suspended - SELV wire (cableless)
Base material	steel
Shade material	three-layer glass TRIPLEX OPAL
Base color	white Ra19003
Shade color	white
Holding the shade	folding system
Mounting location	ceiling
Width	150 mm
Length	150 mm
Height	535 mm
Diameter	ø 150 mm
Hinge length	1000 mm
mounting holes (diameter)	2xø5mm
Installation wire (diameter)	1xø14mm
Energy Class	D
Impact strength	IK01
Operating temperature	from -20°C to +30°C

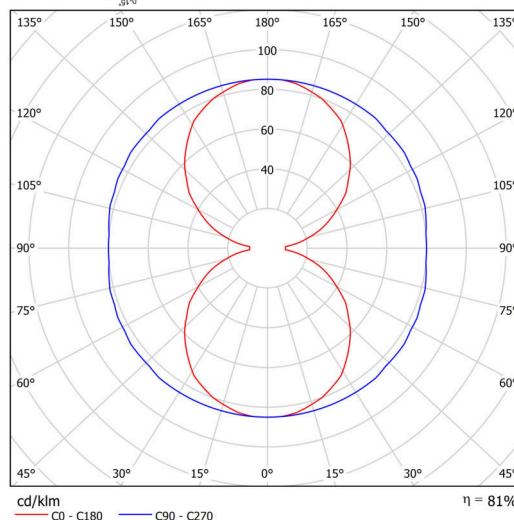


Electric

Power consumption	31 W
Ingress Protection	IP20
Socket	LED modul
terminal block	snap terminal block
Automatic circuit breaker type B10A	35 pcs
Automatic circuit breaker type B16A	65 pcs
Automatic circuit breaker type C10A	35 pcs
Automatic circuit breaker type C16A	65 pcs

Luminous

Lum. flux of luminaire	4540 lm
Lum. flux of light source	5220 lm
Luminaire efficacy	146 lm/W
Temperature	3000 K
Rated life time LED L80/B10	100000 hours
CRI	Ra80
MacAdam	3
Blue light hazard	Risk group 0



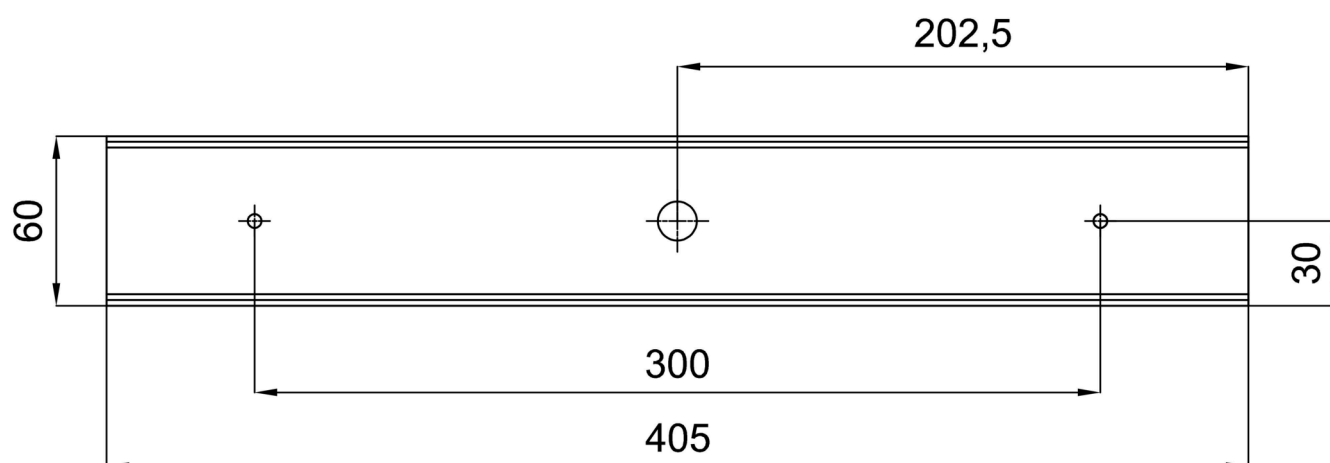
Eulum data for calculation programs are available at

Logistic

EAN	8591728138738
Weight NTTO	3.9 Kg
Weight BTTO	4.1 Kg
Number of cartons	1 pcs
Warranty*	60 months

*The warranty for the batteries is valid for 12 months from the date of purchase.

Installation dimensions:



Additional assortment:

Lampshade

Product code	Name	Color	Description	Picture	Drawing
20139	437	white		