

## KRUGER P4 F0

LED-6L51E1050ZKN10/F04C/L100 C DALI 4K##

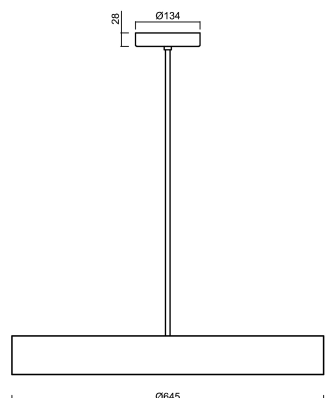
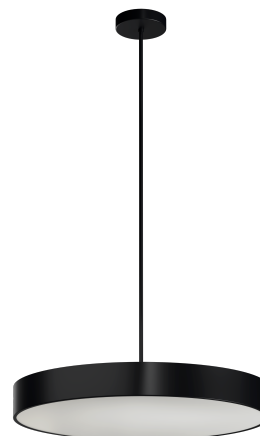
[WWW.OSMONT.CZ](http://WWW.OSMONT.CZ)

# KRUGER P4 FO

Product code: KRU50544

Type: LED-6L51E1050ZKN10/FO4C/L100 C DALI 4K##

Short description of the luminaire: Black colour | pendant LED light DALI | opal plastic shade| decorative collar | rod pendant 100 cm |



## Technical data

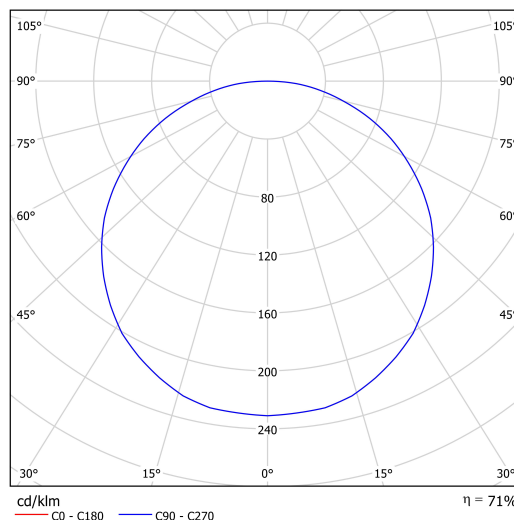
Types of luminaires	Dimmable
Mounting type	Suspended - rod
Base material	steel
Shade material	Plastic opal (FO) with metal collar
Base color	black Ral9005
Shade color	white - black
Holding the shade	folding system
Mounting location	ceiling
Width	645 mm
Length	645 mm
Height	80 mm
Diameter	Ø 645 mm
Suspension length	1000 mm
mounting holes (diameter)	2xØ5mm
Cable entrance	2xØ16mm
Energy Class	D
Operating temperature	from -20°C to +30°C

## Electrical data

Power consumption	100 W
Ingress Protection	IP40
Socket	LED modul
terminal block	screw terminal block
Automatic circuit breaker type B10A	7 pcs
Automatic circuit breaker type B16A	11 pcs
Automatic circuit breaker type C10A	11 pcs
Automatic circuit breaker type C16A	18 pcs
Number of LED drivers	2

## Luminous data

Lum. flux of luminaire	11230 lm
Lum. flux of light source	15810 lm
Luminaire efficacy	112 lm/W
Chromaticity temperature	4000 K
Rated life time LED L80/B10	100000 hours
CRI	Ra80
MacAdam	3
Blue light hazard	Risk group 0



Eulum data for calculation programs are available at

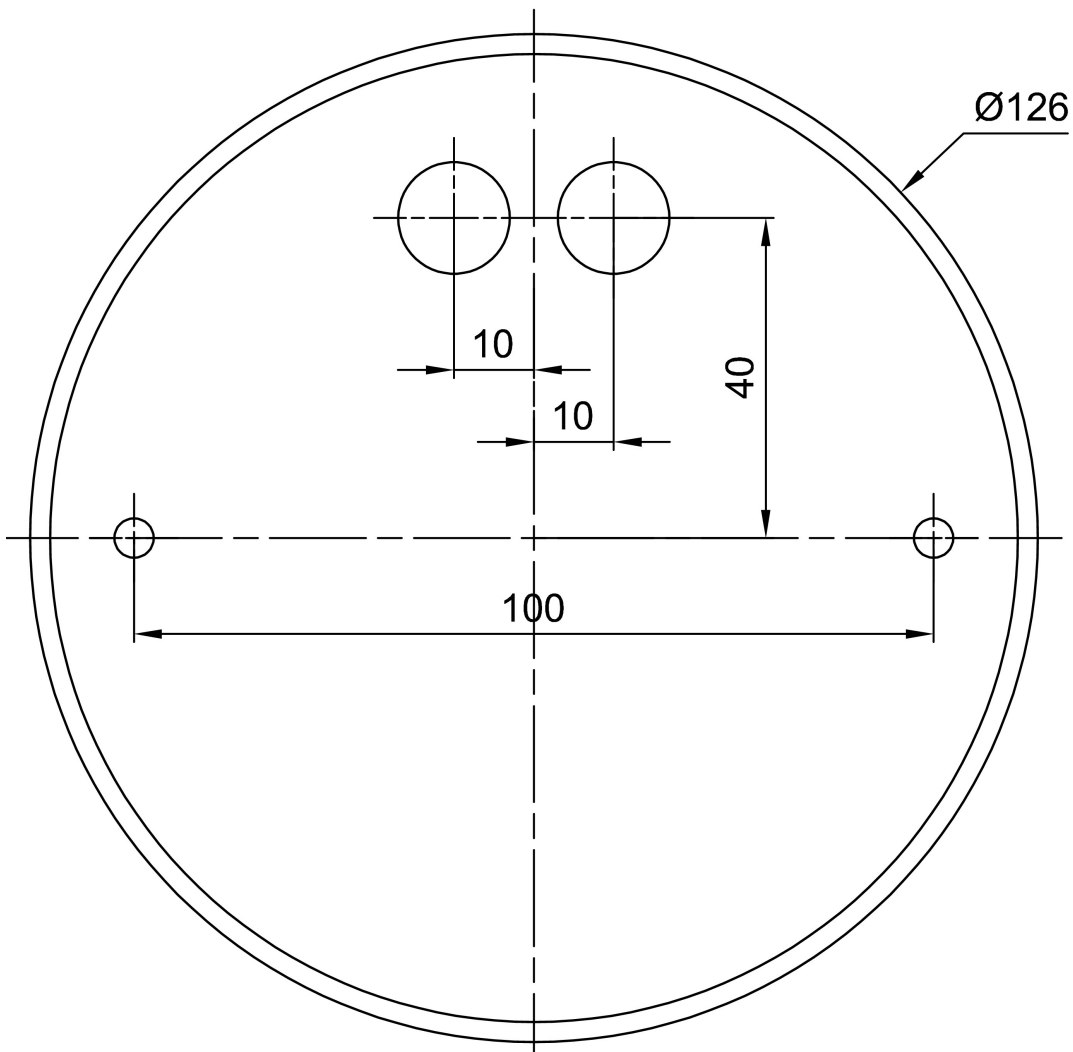
OSMONT, s.r.o.  
 HYBRÁLEC 129,  
 586 01 JIHLAVA, CZ

Logistical data

EAN	8591728230036
Warranty*	60 months

\*The warranty for the batteries is valid for 36 months from the date of purchase.

Installation dimensions:



## Additional assortment:

## Lampshade

Product code	Name	Color	Picture	Drawing
20730	F04C	white - black	