

## KRUGER P4 F0

LED-6L51EMP1050ZKN10/FO4C/L100 C 4K##

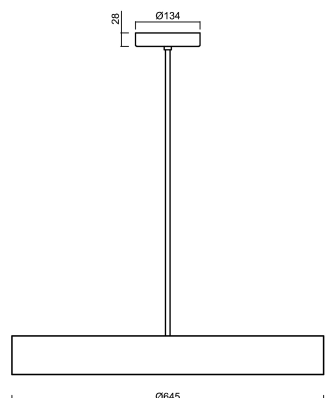
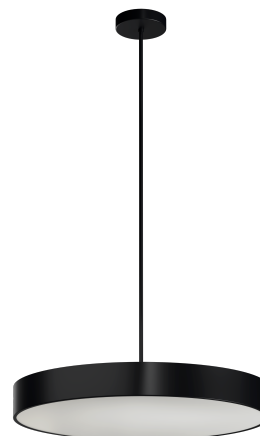
[WWW.OSMONT.CZ](http://WWW.OSMONT.CZ)

# KRUGER P4 FO

Product code: KRU50543

Type: LED-6L51EMP1050ZKN10/FO4C/L100 C 4K##

Short description of the luminaire: Black colour | pendant LED light ON/OFF | multipower driver | opal plastic shadel decorative collar | rod pendant 100 cm |



## Technical data

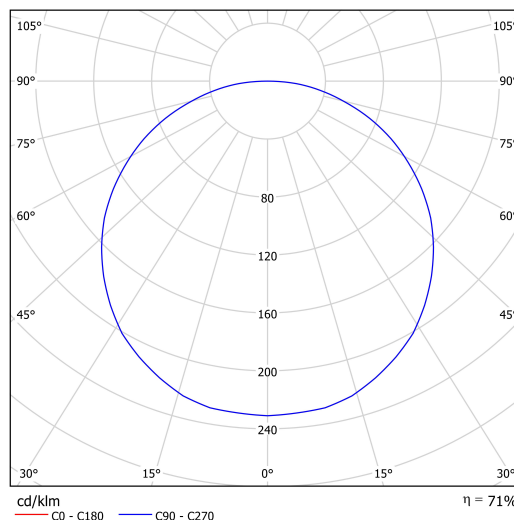
Types of luminaires	Classic on/off
Mounting type	Suspended - rod
Base material	steel
Shade material	Plastic opal (FO) with metal collar
Base color	black Ral9005
Shade color	white - black
Holding the shade	folding system
Mounting location	ceiling
Width	645 mm
Length	645 mm
Height	80 mm
Diameter	Ø 645 mm
Suspension length	1000 mm
mounting holes (diameter)	2xØ5mm
Cable entrance	2xØ16mm
Energy Class	D
Operating temperature	from -20°C to +30°C

## Electrical data

Power consumption	100 W
Ingress Protection	IP40
Socket	LED modul
terminal block	screw terminal block
Automatic circuit breaker type B10A	12 pcs
Automatic circuit breaker type B16A	20 pcs
Automatic circuit breaker type C10A	12 pcs
Automatic circuit breaker type C16A	20 pcs
Number of LED drivers	2

## Luminous data

Lum. flux of luminaire	11230 lm
Lum. flux of light source	15810 lm
Luminaire efficacy	112 lm/W
Chromaticity temperature	4000 K
Rated life time LED L80/B10	100000 hours
CRI	Ra80
MacAdam	3
Blue light hazard	Risk group 0



Eulum data for calculation programs are available at

OSMONT, s.r.o.  
HYBRÁLEC 129,  
586 01 JIHLAVA, CZ

**Multipower**

Possibility of output adjustment by the user (DIP switch on the current source).

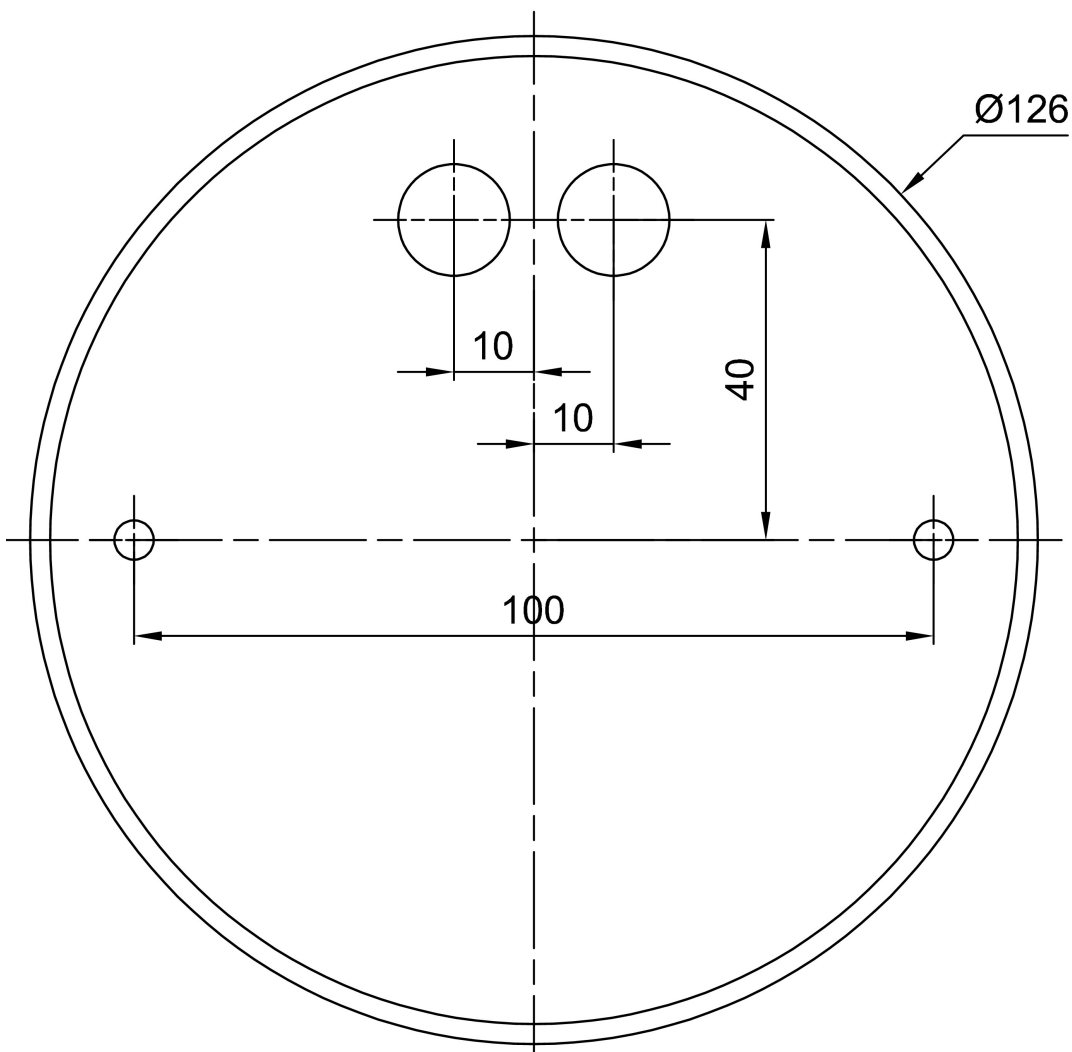
I [mA]	1050	1000	950	900	850	800	750	700
[%]	100	95	90	86	81	76	71	67

**Logistical data**

EAN	8591728230029
Warranty*	60 months

\*The warranty for the batteries is valid for 36 months from the date of purchase.

**Installation dimensions:**



## Additional assortment:

## Lampshade

Product code	Name	Color	Picture	Drawing
20730	F04C	white - black	