

KRUGER P4 F0

IN-42ZKN10/F04C/L100 C**

WWW.OSMONT.CZ

KRUGER P4 FO

Product code: KRU40027

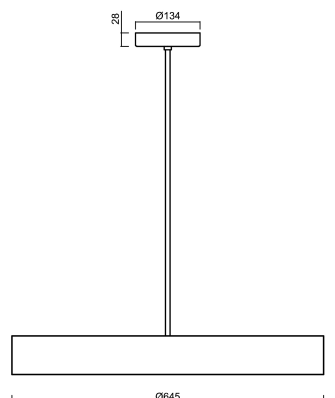
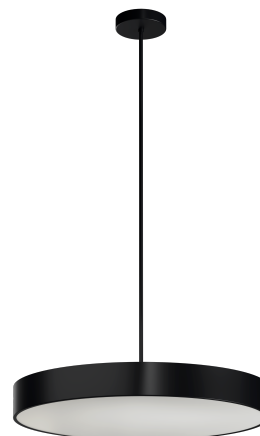
Type: IN-42ZKN10/F04C/L100 C**

Short description of the luminaire: Black colour | pendant E27 light ON/OFF | opal plastic shade| decorative collar | rod pendant 100 cm |



Technical data

Types of luminaires	Classic on/off
Mounting type	Suspended - rod
Base material	steel
Shade material	Plastic opal (FO) with metal collar
Base color	black Ral9005
Shade color	white - black
Holding the shade	folding system
Mounting location	ceiling
Width	645 mm
Length	645 mm
Height	80 mm
Diameter	ø 645 mm
Suspension length	1000 mm
mounting holes (diameter)	2xø5mm
Cable entrance	2xø16mm
Operating temperature	from -20°C to +30°C



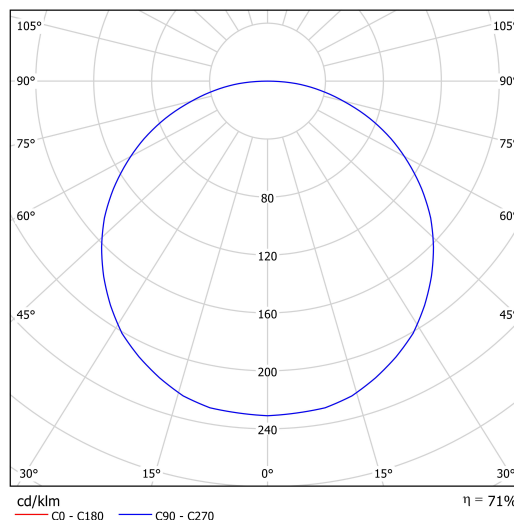
Electrical data

Power consumption	4x25 W
Ingress Protection	IP40
Socket	E27
terminal block	screw terminal block

Luminous data

Blue light hazard	Risk group 0
-------------------	--------------

Eulum data for calculation programs are available at www.osmont.cz.



TECHNICAL SHEET

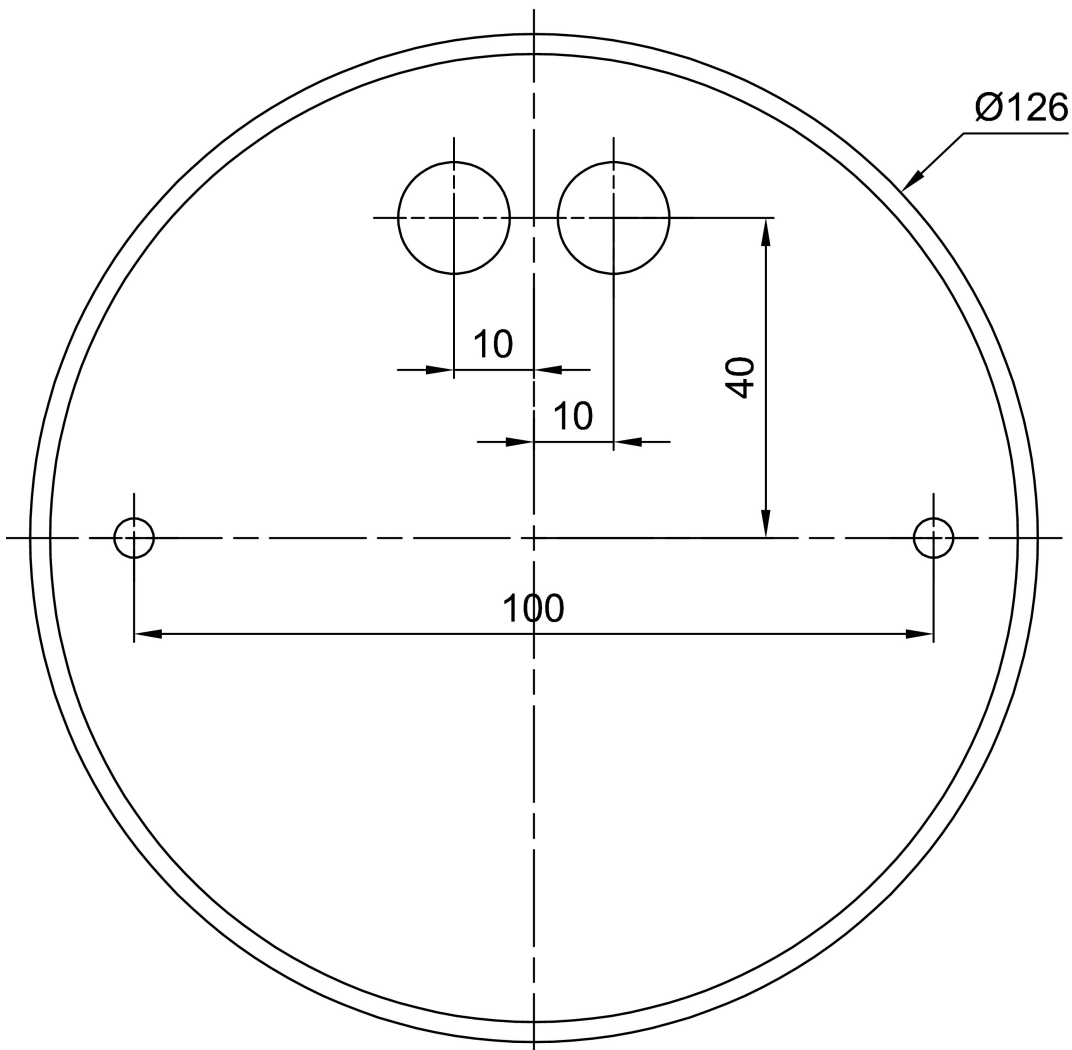


Logistical data

EAN	8591728229115
Warranty*	60 months

*The warranty for the batteries is valid for 36 months from the date of purchase.

Installation dimensions:



Additional assortment:

Lampshade

Product code	Name	Color	Picture	Drawing
20730	F04C	white - black		