

## **KRUGER P4 F0**

---

IN-42ZKN10/F04B/L100 B\*\*

[WWW.OSMONT.CZ](http://WWW.OSMONT.CZ)

# KRUGER P4 FO

Product code: KRU40026

Type: IN-42ZKN10/F04B/L100 B\*\*

Short description of the luminaire: White colour | pendant E27 light ON/OFF | opal plastic shade| decorative collar | rod pendant 100 cm |



## Technical data

Types of luminaires	Classic on/off
Mounting type	Suspended - rod
Base material	steel
Shade material	Plastic opal (FO) with metal collar
Base color	white Ral9003
Shade color	white
Holding the shade	folding system
Mounting location	ceiling
Width	645 mm
Length	645 mm
Height	80 mm
Diameter	ø 645 mm
Suspension length	1000 mm
mounting holes (diameter)	2xø5mm
Cable entrance	2xø16mm
Operating temperature	from -20°C to +30°C

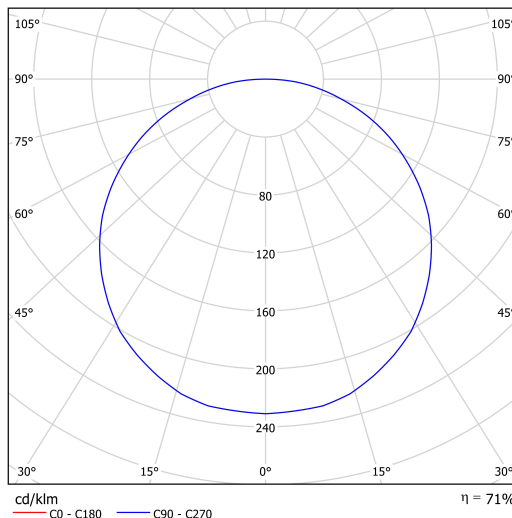
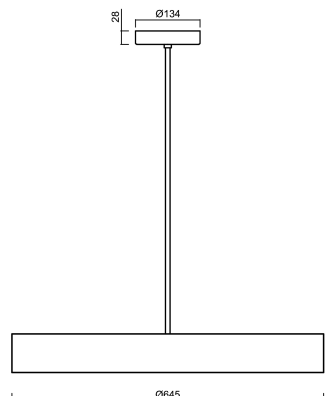
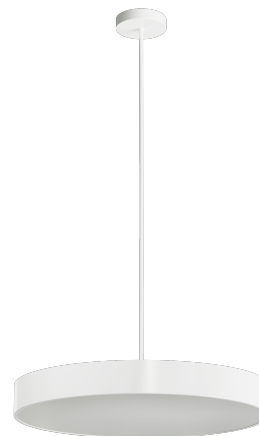
## Electrical data

Power consumption	4x25 W
Ingress Protection	IP40
Socket	E27
terminal block	screw terminal block

## Luminous data

Blue light hazard	Risk group 0
-------------------	--------------

Eulum data for calculation programs are available at [www.osmont.cz](http://www.osmont.cz).



# TECHNICAL SHEET

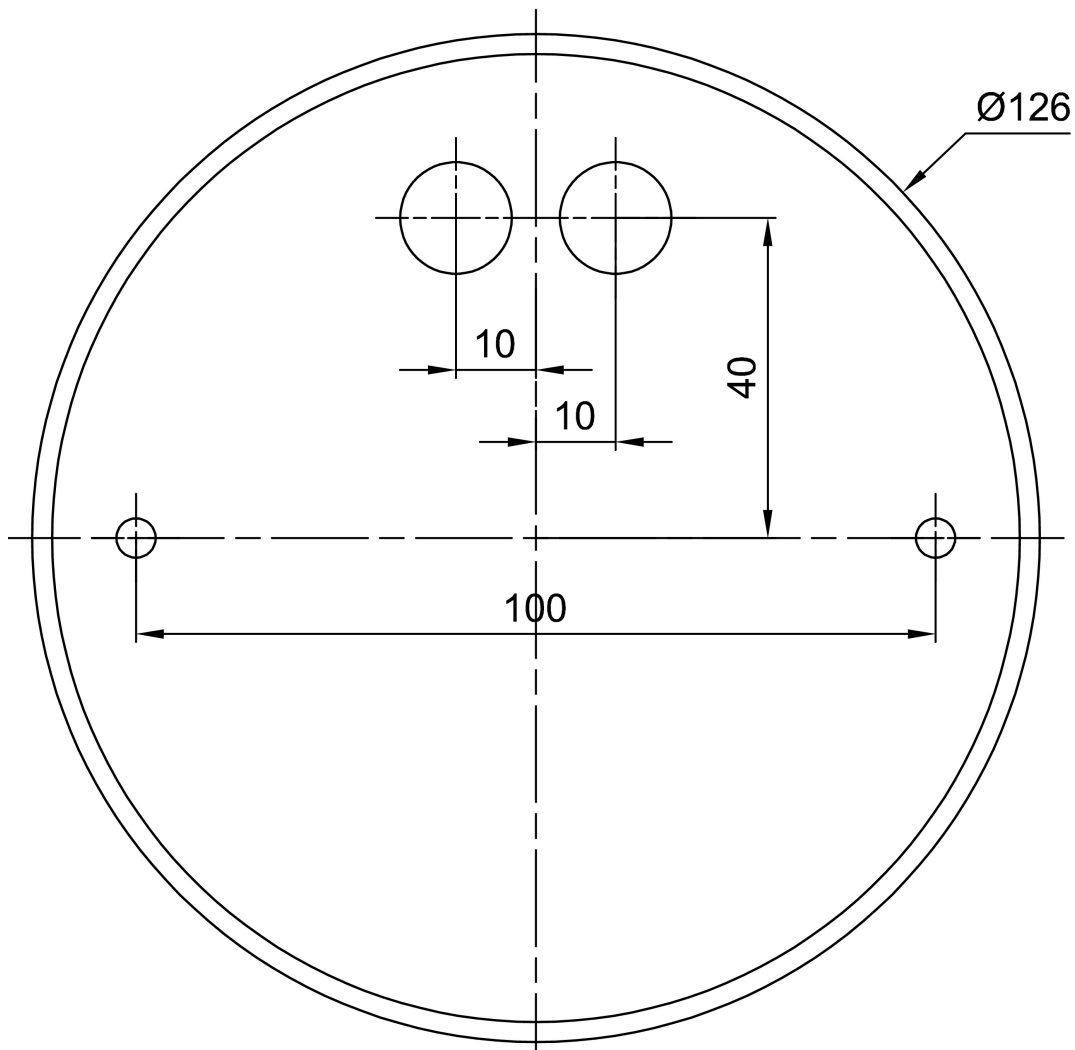


## Logistical data

EAN	8591728229108
Warranty*	60 months

\*The warranty for the batteries is valid for 36 months from the date of purchase.

## Installation dimensions:



## Additional assortment:

## Lampshade

Product code	Name	Color	Picture	Drawing
20728	F04B	white		