

## KRUGER P3 F0

LED-1L20EMP1050ZKN94/F03B/z5/NK1W B 3K#

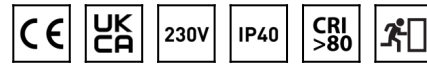
[WWW.OSMONT.CZ](http://WWW.OSMONT.CZ)

# KRUGER P3 FO

Product code: KRU60209

Type: LED-1L20EMP1050ZKN94/F03B/z5/NK1W B 3K#

Short description of the luminaire: White color | pendant LED light | emergency combi unit | multipower function | opal plastic shade | decorative collar



## Technical

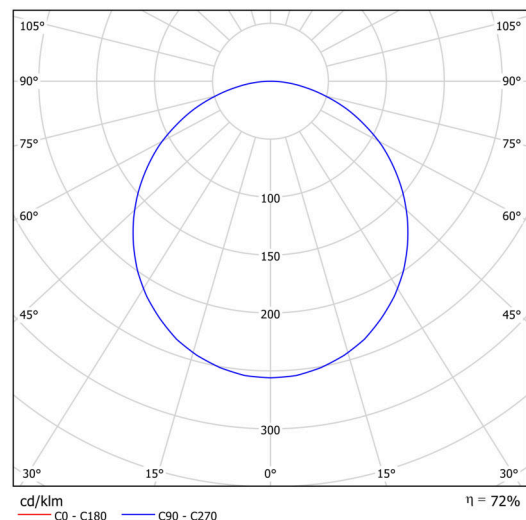
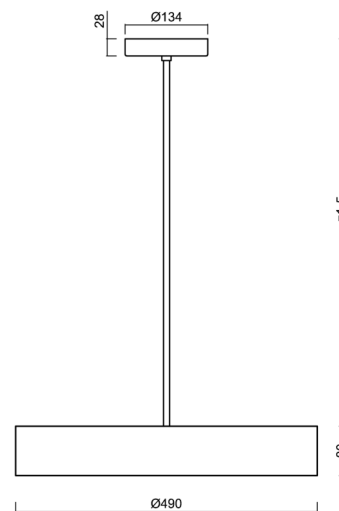
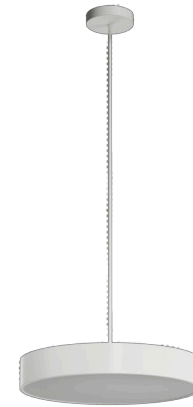
Types of luminaires	Emergency combined
Mounting type	Suspended - rod
Base material	steel
Shade material	Plastic opal (FO) with metal collar
Base color	white Ral9003
Shade color	white
Holding the shade	folding system
Mounting location	ceiling
Width	490 mm
Length	490 mm
Height	80 mm
Diameter	ø 490 mm
Hinge length	1000 mm
mounting holes (diameter)	2xø5mm
Installation wire (diameter)	2xø16mm
Energy Class	D
Operating temperature	from 0°C to +30°C

## Electric

Power consumption	48 W
Ingress Protection	IP40
Socket	LED modul
Battery type	NiCd
Emergency time	3 hours
terminal block	screw terminal block
Automatic circuit breaker type B10A	18 pcs
Automatic circuit breaker type B16A	30 pcs
Automatic circuit breaker type C10A	21 pcs
Automatic circuit breaker type C16A	34 pcs

## Luminous

Lum. flux of luminaire	5500 lm
Lum. flux of light source	7740 lm
Luminaire efficacy	114 lm/W
Temperature	3000 K
Rated life time LED L80/B10	100000 hours
CRI	Ra80
MacAdam	3
Blue light hazard	Risk group 0



## TECHNICAL SHEET

Eulum data for calculation programs are available at  
[www.osmont.cz](http://www.osmont.cz).

### Multipower

Possibility of output adjustment by the user (DIP switch on the current source).

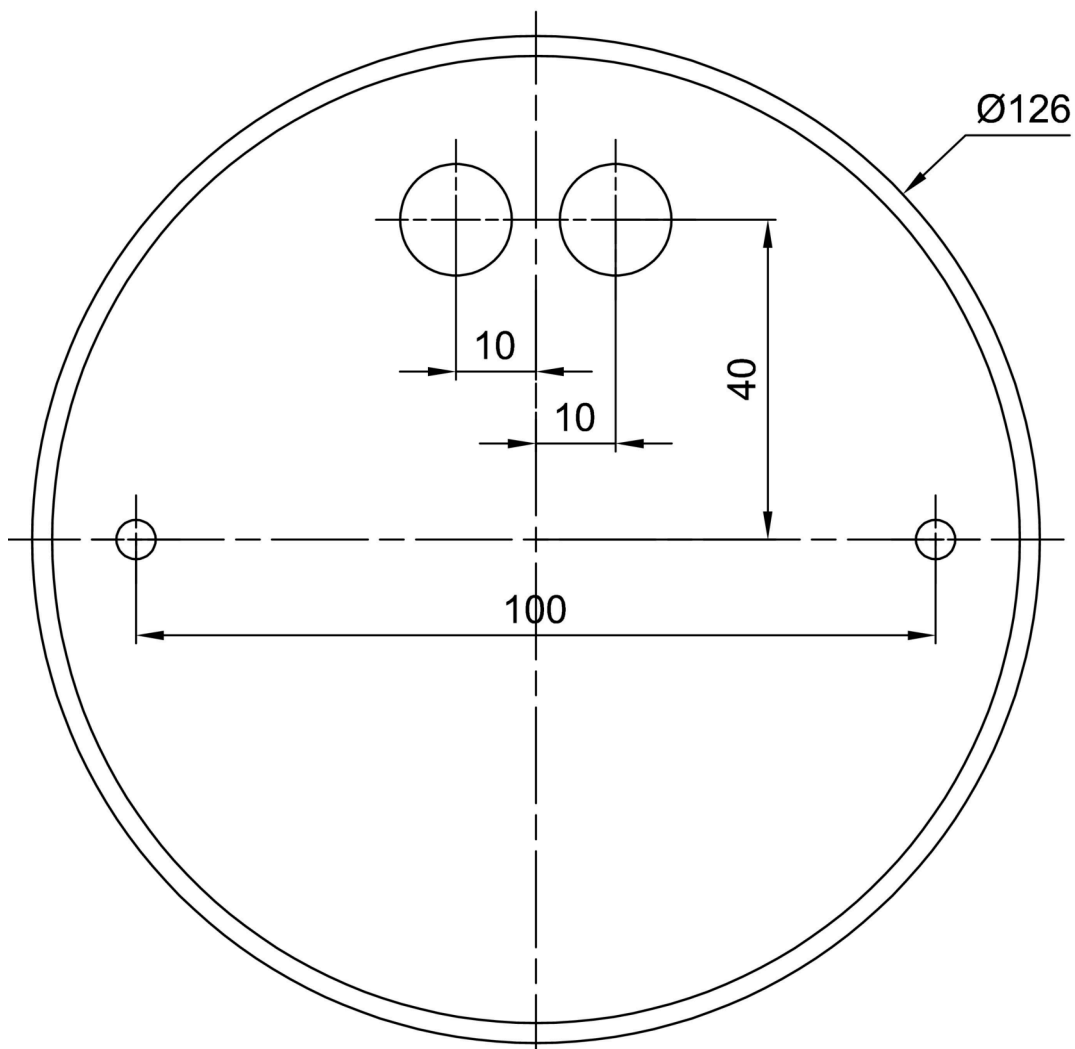
I [mA]	1050	900	850	700	
[%]	100	86	81	67	

### Logistic

EAN	8591728082789
Warranty*	60 months

\*The warranty for the batteries is valid for 12 months from the date of purchase.

### Installation dimensions:



## Additional assortment:

## Lampshade

Product code	Name	Color	Description	Picture	Drawing
20643	F03B	white		