

## KRUGER P2 F0

LED-1L16E500ZKN83/F02C/z5 NK3HST C 3K#

[WWW.OSMONT.CZ](http://WWW.OSMONT.CZ)

# KRUGER P2 FO

Product code: KRU60284

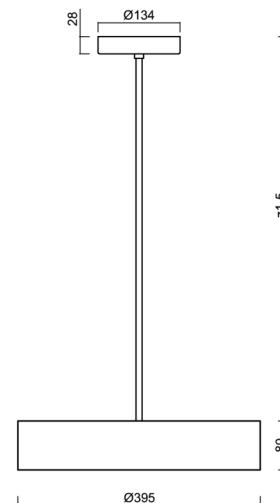
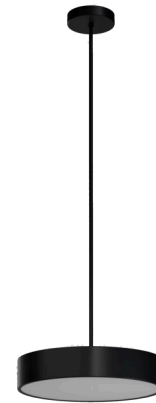
Type: LED-1L16E500ZKN83/F02C/z5 NK3HST C 3K#

Short description of the luminaire: Black colour | pendant LED light with emergency backup combined ( with Self-test) | opal plastic shade| decorative collar | rod pendant 100 cm |



## Technical

Types of luminaires	Emergency combined SELFTEST
Mounting type	Suspended - rod
Base material	steel
Shade material	Plastic opal (FO) with metal collar
Base color	black Ral9005
Shade color	white - black
Holding the shade	folding system
Mounting location	ceiling
Width	395 mm
Length	395 mm
Height	80 mm
mounting holes (diameter)	2xØ5mm
Cable entrance	2xØ16mm
Energy Class	D
Impact strength	IKxx
Operating temperature	from -20°C to +30°C



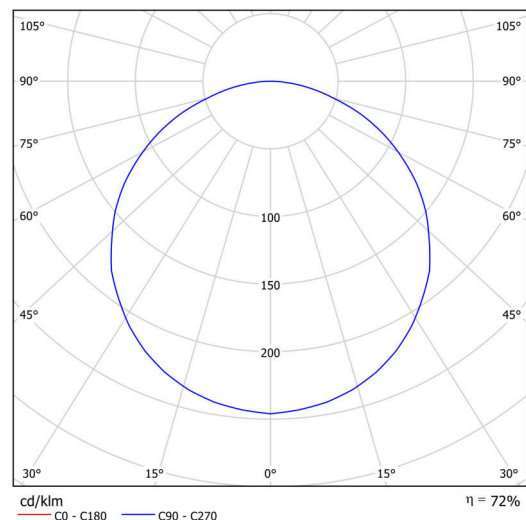
## Electric

Power consumption	24 W
Ingress Protection	IP40
Socket	LED modul
Battery type	LiFePO4
Emergency time	3 hours
SELFTEST	yes
terminal block	screw terminal block

## Luminous

Lum. flux of luminaire	2400 lm
Lum. flux of light source	3750 lm
Lum. flux of light source in emergency mode	200 lm
Temperature	3000 K
Rated life time LED L80/B10	100000 hours
CRI	Ra80
MacAdam	3
Blue light hazard	Risk group 0

Eulum data for calculation programs are available at [www.osmont.cz](http://www.osmont.cz).



# TECHNICAL SHEET

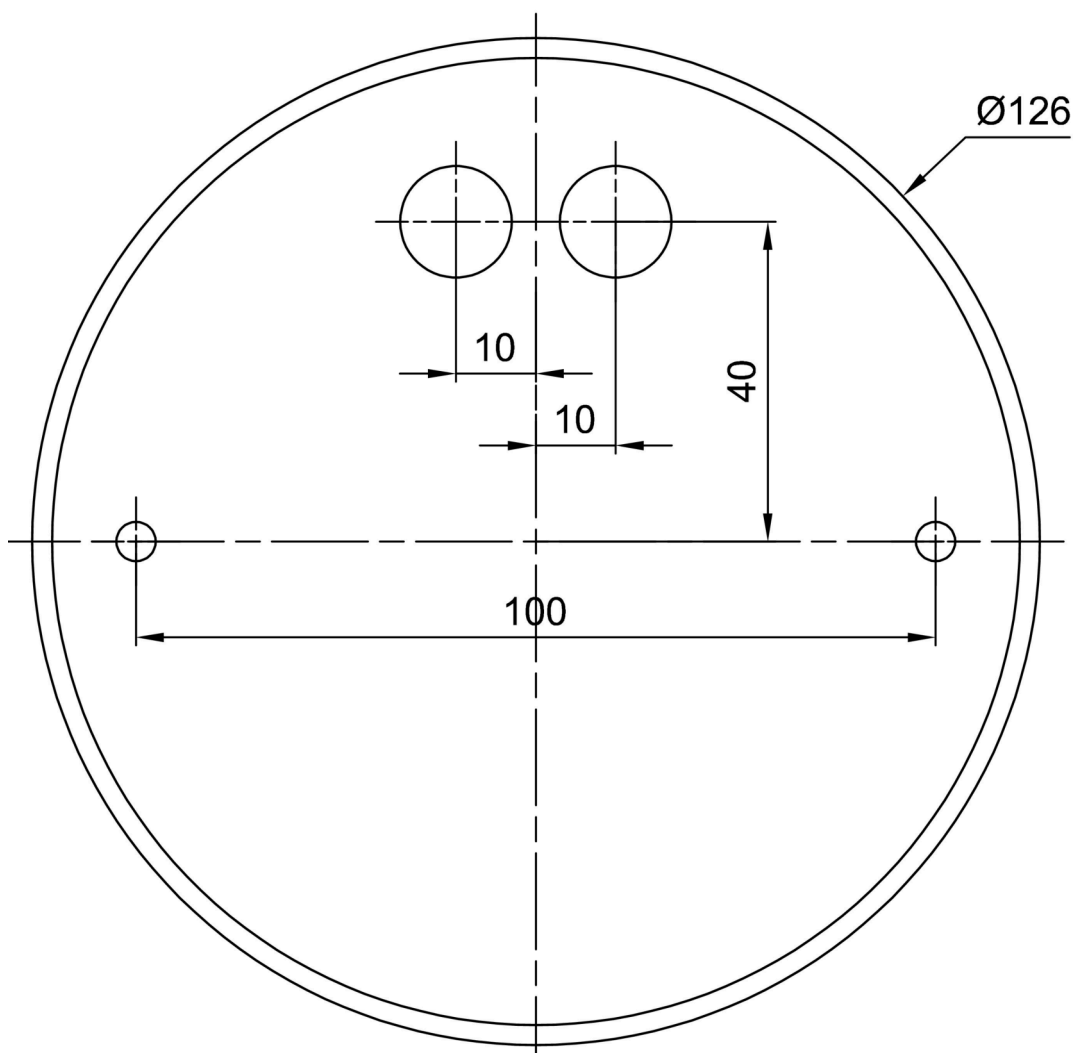


## Logistic

EAN	8591728157784
Number of cartons	1 pcs
Warranty*	60 months

\*The warranty for the batteries is valid for 12 months from the date of purchase.

## Installation dimensions:



## Additional assortment:

## Lampshade

Product code	Name	Color	Description	Picture	Drawing
20640	F02C	white - black	příslušenství		