



KRUGER P1 F0

LED-1L14E500ZKN62/F01B/z5 B DALI 3K#

WWW.OSMONT.CZ

KRUGER P1 F0

Product code: KRU60149

Type: LED-1L14E500ZKN62/F01B/z5 B DALI 3K#

Short description of the luminaire: White color | pendant LED light | dimmable DALI | opal plastic shade | decorative collar



Technical

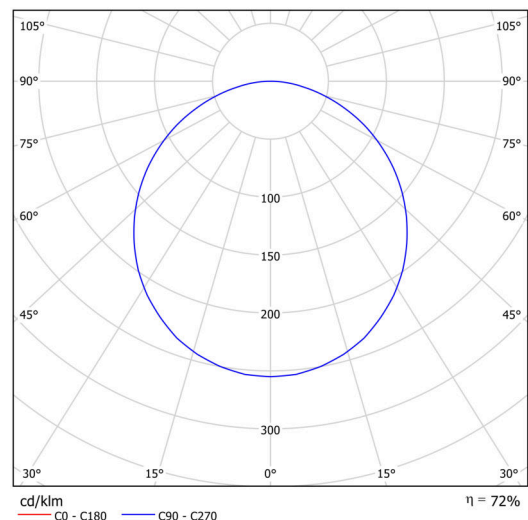
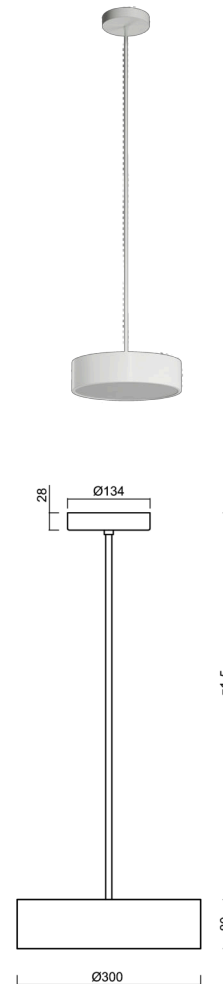
| | |
|------------------------------|-------------------------------------|
| Types of luminaires | Dimmable |
| Mounting type | Suspended - rod |
| Base material | steel |
| Shade material | Plastic opal (F0) with metal collar |
| Base color | white Ral9003 |
| Shade color | white |
| Holding the shade | folding system |
| Mounting location | ceiling |
| Width | 300 mm |
| Length | 300 mm |
| Height | 80 mm |
| Diameter | ø 300 mm |
| Hinge length | 1000 mm |
| mounting holes (diameter) | 3xø5mm |
| Installation wire (diameter) | 2xø16mm |
| Energy Class | D |
| Operating temperature | from -20°C to +30°C |

Electric

| | |
|-------------------------------------|---------------------|
| Power consumption | 13 W |
| Ingress Protection | IP40 |
| Socket | LED modul |
| terminal block | snap terminal block |
| Automatic circuit breaker type B10A | 31 pcs |
| Automatic circuit breaker type B16A | 50 pcs |
| Automatic circuit breaker type C10A | 52 pcs |
| Automatic circuit breaker type C16A | 85 pcs |

Luminous

| | |
|-----------------------------|--------------|
| Lum. flux of luminaire | 1420 lm |
| Lum. flux of light source | 2000 lm |
| Luminaire efficacy | 109 lm/W |
| Temperature | 3000 K |
| Rated life time LED L80/B10 | 100000 hours |
| CRI | Ra80 |
| MacAdam | 3 |
| Blue light hazard | Risk group 0 |



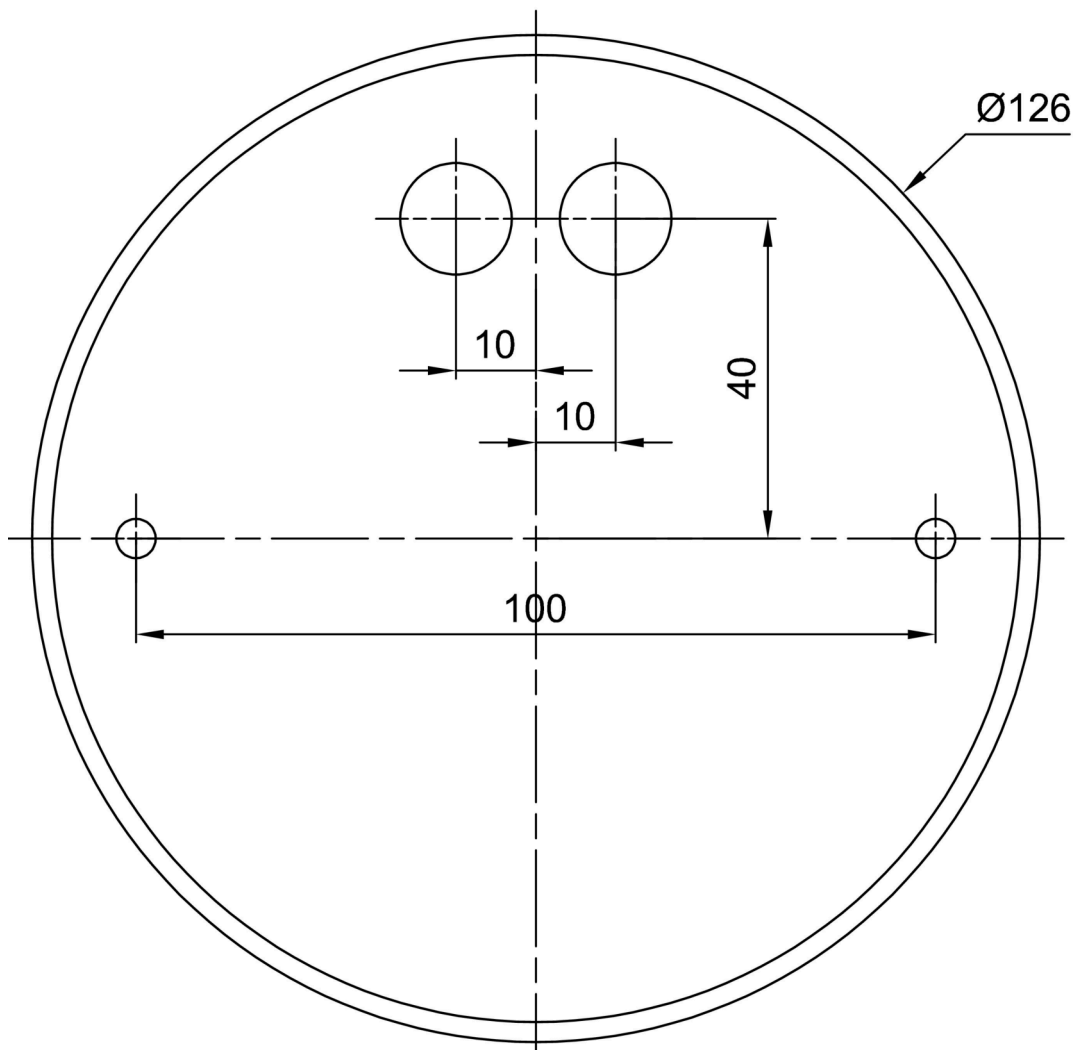
Eulum data for calculation programs are available at www.osmont.cz.

Logistic

| | |
|-------------|---------------|
| EAN | 8591728082185 |
| Weight NTT0 | 2.8 Kg |
| Weight BTTO | 3.6 Kg |
| Warranty* | 60 months |


*The warranty for the batteries is valid for 12 months from the date of purchase.

Installation dimensions:



Additional assortment:

Lampshade

| Product code | Name | Color | Description | Picture | Drawing |
|--------------|------|-------|-------------|---|---------|
| 20631 | F01B | white | |  | |