

KRUGER P1 F0

IN-12ZKN62/FOC1/z5 C HF*

WWW.OSMONT.CZ

KRUGER P1 F0

Product code: KRU40015

Type: IN-12ZKN62/FOC1/z5 C HF*

Short description of the luminaire: Black color | pendant E27 light | microwave HF sensor | opal plastic shade | decorative collar



Technical

Types of luminaires	Sensor
Mounting type	Suspended - rod
Base material	steel
Shade material	Plastic opal (F0) with metal collar
Base color	black Ral9005
Shade color	white - black
Holding the shade	folding system
Mounting location	ceiling
Width	300 mm
Length	300 mm
Height	80 mm
Diameter	ø 300 mm
Hinge length	1000 mm
mounting holes (diameter)	3xø5mm
Installation wire (diameter)	2xø16mm
Operating temperature	from -20°C to +30°C

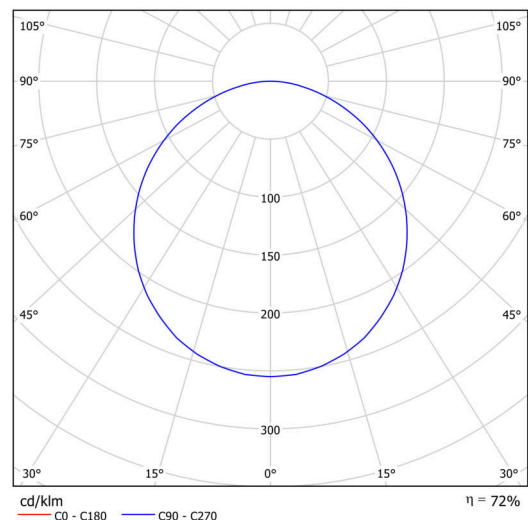
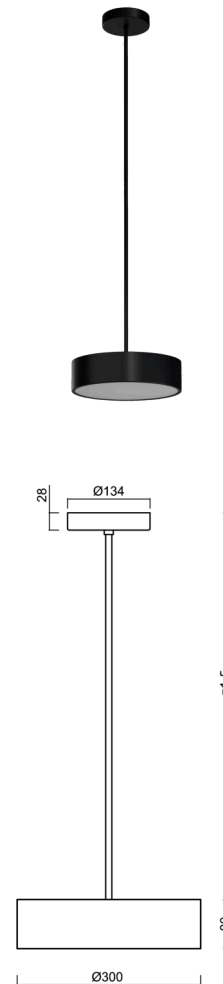
Electric

Power consumption	25 W
Ingress Protection	IP40
Socket	E27
Sensor	HF
terminal block	snap terminal block

Luminous

Blue light hazard	Risk group 0
-------------------	--------------

Eulum data for calculation programs are available at www.osmont.cz.

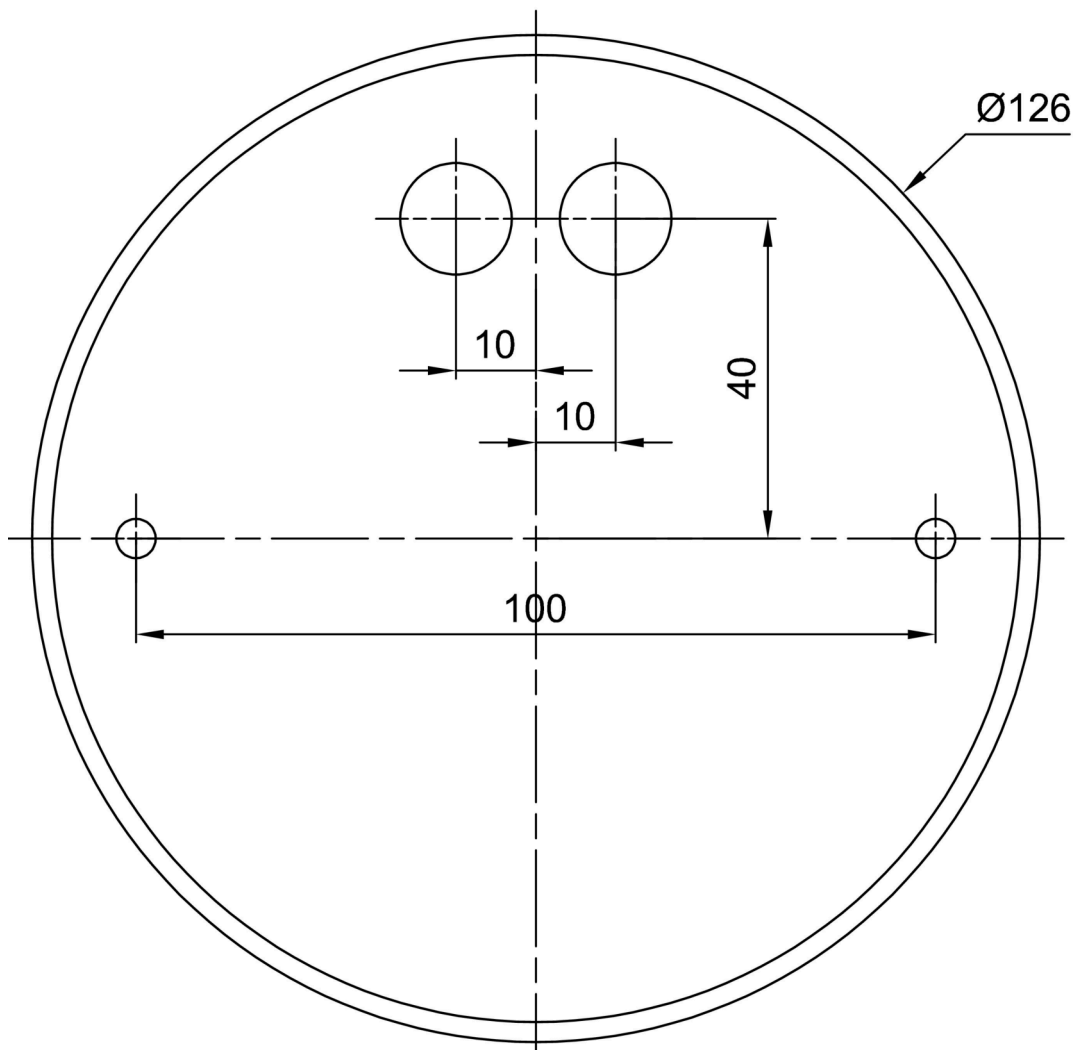


Logistic

EAN	8591728080600
Weight NTT0	2.8 Kg
Weight BTTO	3.6 Kg
Warranty*	60 months

*The warranty for the batteries is valid for 12 months from the date of purchase.

Installation dimensions:



Additional assortment:

Lampshade

Product code	Name	Color	Description	Picture	Drawing
20634	F01C	white - black		