



## KRUGER 4 FOP

LED-6L51EMP1050KN10/FOP4B NK3H 4K##

[WWW.OSMONT.CZ](http://WWW.OSMONT.CZ)

# KRUGER 4 FOP

Product code: KRU50515

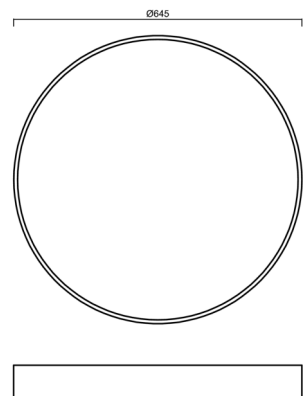
Type: LED-6L51EMP1050KN10/FOP4B NK3H 4K##

Short description of the luminaire: White colour | ceiling or wall LED light with emergency backup combined | multipower driver | opal prismatic shadel decorative collar | |



## Technical data

Types of luminaires	Emergency combined
Mounting type	surface mounted
Base material	steel
Shade material	Plastic opal prismatic (FOP) with metal collar
Base color	white Ral9003
Shade color	white
Holding the shade	folding system
Mounting location	ceiling/wall
Width	645 mm
Length	645 mm
Height	80 mm
Diameter	ø 645 mm
mounting holes (diameter)	2xø5mm
Cable entrance	2xø16mm
Energy Class	D
Operating temperature	from -20°C to +30°C



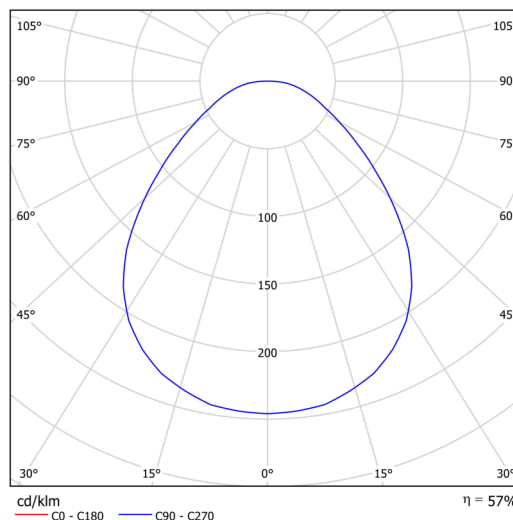
## Electrical data

Power consumption	100 W
Ingress Protection	IP40
Socket	LED modul
Battery type	LiFePO4
Emergency time	3 hours
terminal block	snap terminal block

## Luminous data

Lum. flux of luminaire	10280 lm
Lum. flux of light source	15810 lm
Lum. flux of light source in emergency mode	200 lm
Chromaticity temperature	4000 K
Rated life time LED L80/B10	100000 hours
CRI	Ra80
MacAdam	3
Blue light hazard	Risk group 0

Eulum data for calculation programs are available at [www.osmont.cz](http://www.osmont.cz).



# TECHNICAL SHEET

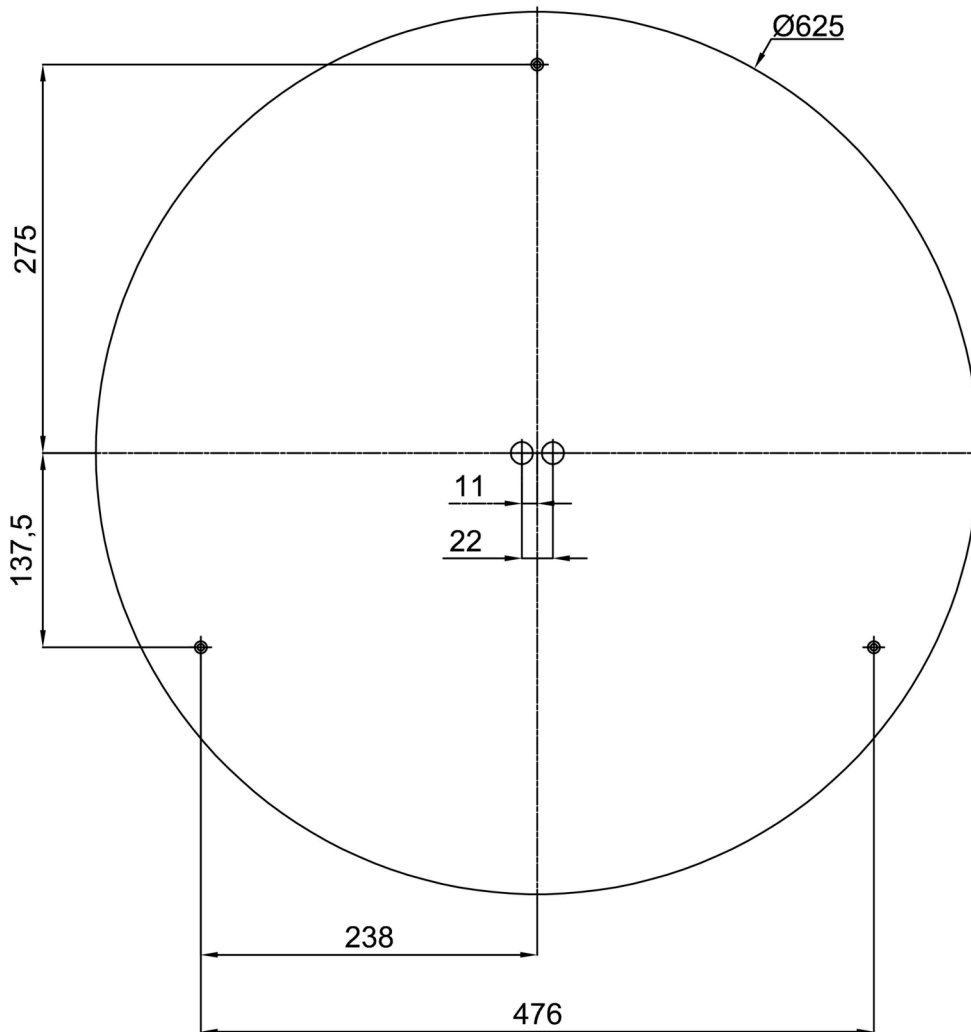


## Logistical data

EAN	8591728229740
Number of cartons	1 pcs
Warranty*	60 months

\*The warranty for the batteries is valid for 36 months from the date of purchase.

## Installation dimensions:



## Additional assortment:

## Lampshade

Product code	Name	Color	Picture	Drawing
20729	FOP4B	white	