



KRUGER 2 F0

LED-1L16E500KN83/F02C/NK1W HF 3K#

WWW.OSMONT.CZ

KRUGER 2 FO

Product code: KRU60083

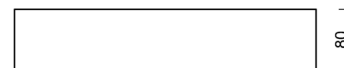
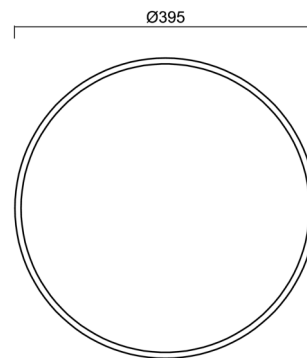
Type: LED-1L16E500KN83/F02C/NK1W HF 3K#

Short description of the luminaire: Black color | surface-mounted LED light | emergency combi unit with microwave HF sensor | opal plastic shade | decorative collar



Technical

| | |
|------------------------------|-------------------------------------|
| Types of luminaires | Emergency combined + sensor |
| Mounting type | surface mounted |
| Base material | steel |
| Shade material | Plastic opal (FO) with metal collar |
| Base color | black Ral9005 |
| Shade color | white - black |
| Holding the shade | folding system |
| Mounting location | ceiling/wall |
| Width | 395 mm |
| Length | 395 mm |
| Height | 80 mm |
| Diameter | ø 395 mm |
| mounting holes (diameter) | 3xø5mm |
| Installation wire (diameter) | 2xø16mm |
| Energy Class | D |
| Operating temperature | from -20°C to +30°C |

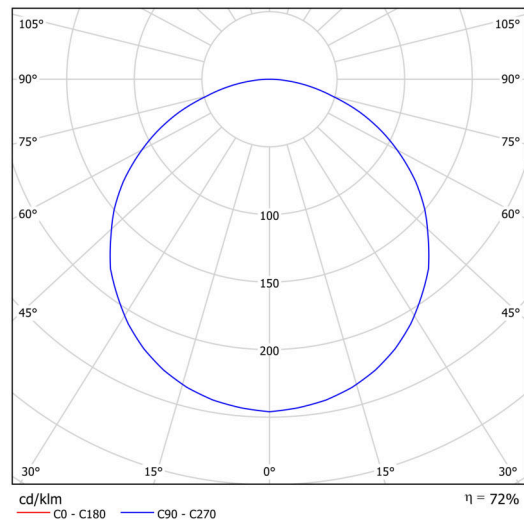


Electric

| | |
|-------------------------------------|---------------------|
| Power consumption | 24 W |
| Ingress Protection | IP40 |
| Socket | LED modul |
| Sensor | HF |
| Battery type | NiCd |
| Emergency time | 3 hours |
| terminal block | snap terminal block |
| Automatic circuit breaker type B10A | 26 pcs |
| Automatic circuit breaker type B16A | 40 pcs |
| Automatic circuit breaker type C10A | 30 pcs |
| Automatic circuit breaker type C16A | 48 pcs |

Luminous

| | |
|-----------------------------|--------------|
| Lum. flux of luminaire | 2400 lm |
| Lum. flux of light source | 3750 lm |
| Luminaire efficacy | 100 lm/W |
| Temperature | 3000 K |
| Rated life time LED L80/B10 | 100000 hours |
| CRI | Ra80 |
| MacAdam | 3 |
| Blue light hazard | Risk group 0 |



TECHNICAL SHEET



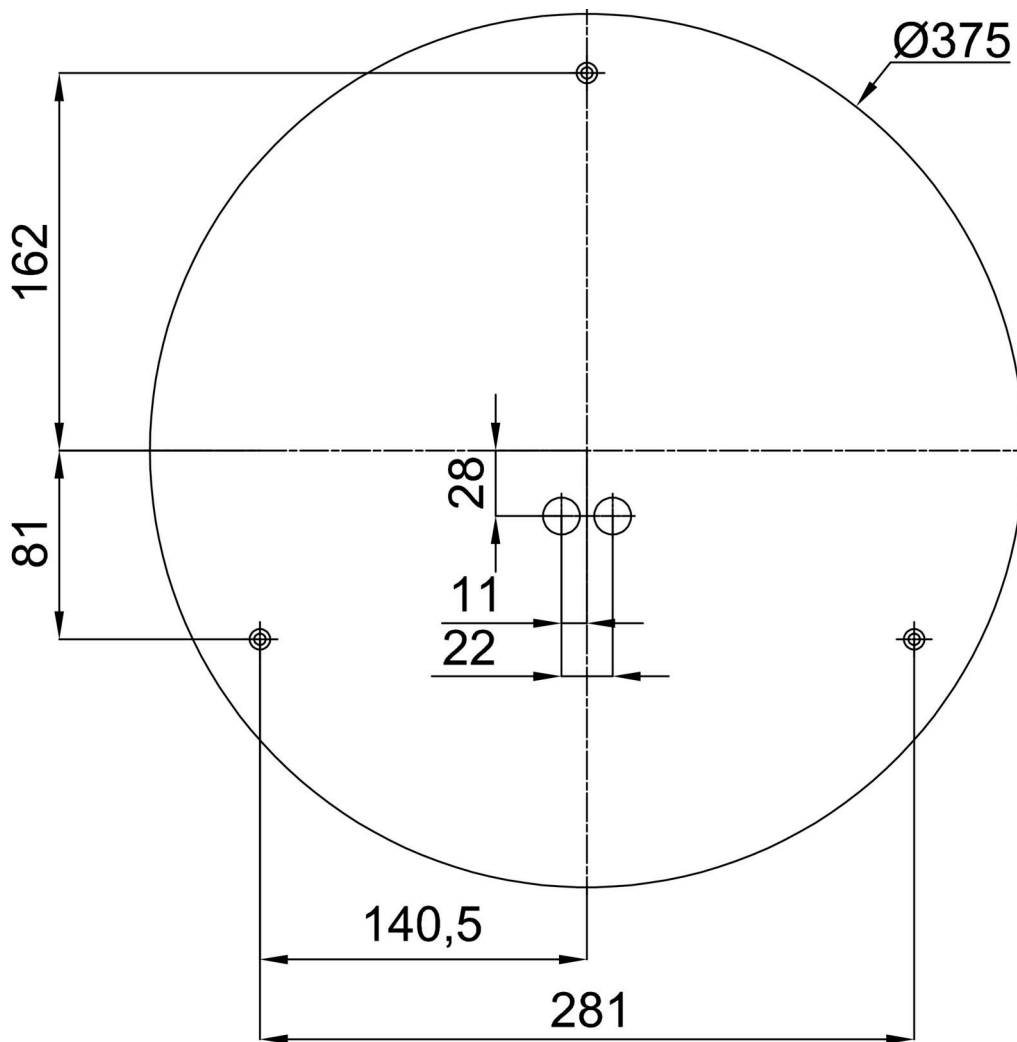
Eulum data for calculation programs are available at www.osmont.cz.

Logistic

| | |
|-------------|---------------|
| EAN | 8591728081522 |
| Weight NTT0 | 2.7 Kg |
| Weight BTTO | 3.1 Kg |
| Warranty* | 60 months |

*The warranty for the batteries is valid for 12 months from the date of purchase.

Installation dimensions:




Additional assortment:

Base for surface mounting

| Product code | Name | Color | Description | Picture | Drawing |
|--------------|-----------|------------------|-------------|--|---|
| 33502 | KN8,K8/BP | white Ra19003 | |  |  |

Lampshade

| Product code | Name | Color | Description | Picture | Drawing |
|--------------|------|------------------|-------------|--|---------|
| 20640 | F02C | white - black | |  | |