



KRUGER 1 FOP

LED-1L14E700KN63/FOP1B HF CORR 3K#

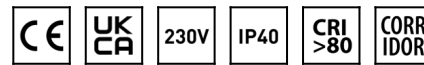
WWW.OSMONT.CZ

KRUGER 1 FOP

Product code: KRU60021

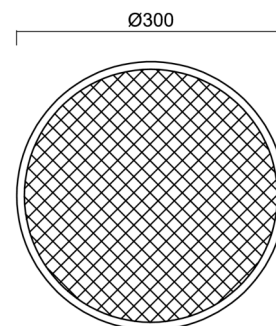
Type: LED-1L14E700KN63/FOP1B HF CORR 3K#

Short description of the luminaire: White color | surface-mounted LED light | CORRIDOR function (HF+DALI) | opal prismatic shade | decorative collar



Technical

| | |
|------------------------------|--|
| Types of luminaires | Corridor |
| Mounting type | surface mounted |
| Base material | steel |
| Shade material | Plastic opal prismatic (FOP) with metal collar |
| Base color | white Ral9003 |
| Shade color | white |
| Holding the shade | folding system |
| Mounting location | ceiling/wall |
| Width | 300 mm |
| Length | 300 mm |
| Height | 80 mm |
| Diameter | ø 300 mm |
| mounting holes (diameter) | 3xø5mm |
| Installation wire (diameter) | 2xø16mm |
| Energy Class | D |
| Operating temperature | from -20°C to +30°C |

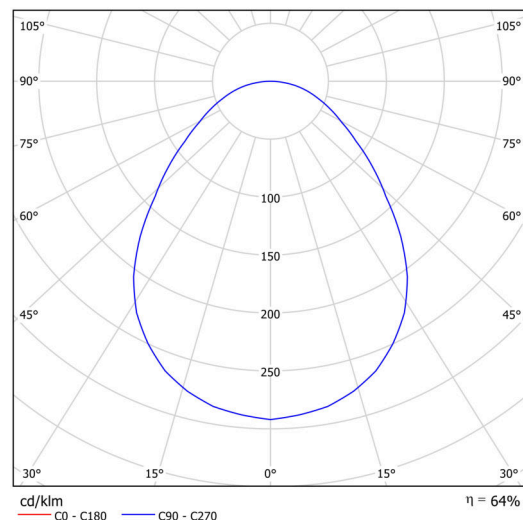


Electric

| | |
|-------------------------------------|---------------------|
| Power consumption | 18 W |
| Ingress Protection | IP40 |
| Socket | LED modul |
| Sensor | HF |
| terminal block | snap terminal block |
| Automatic circuit breaker type B10A | 21 pcs |
| Automatic circuit breaker type B16A | 35 pcs |
| Automatic circuit breaker type C10A | 35 pcs |
| Automatic circuit breaker type C16A | 58 pcs |

Luminous

| | |
|-----------------------------|--------------|
| Lum. flux of luminaire | 1640 lm |
| Lum. flux of light source | 2690 lm |
| Luminaire efficacy | 91 lm/W |
| Temperature | 3000 K |
| Rated life time LED L80/B10 | 100000 hours |
| CRI | Ra80 |
| MacAdam | 3 |
| Blue light hazard | Risk group 0 |



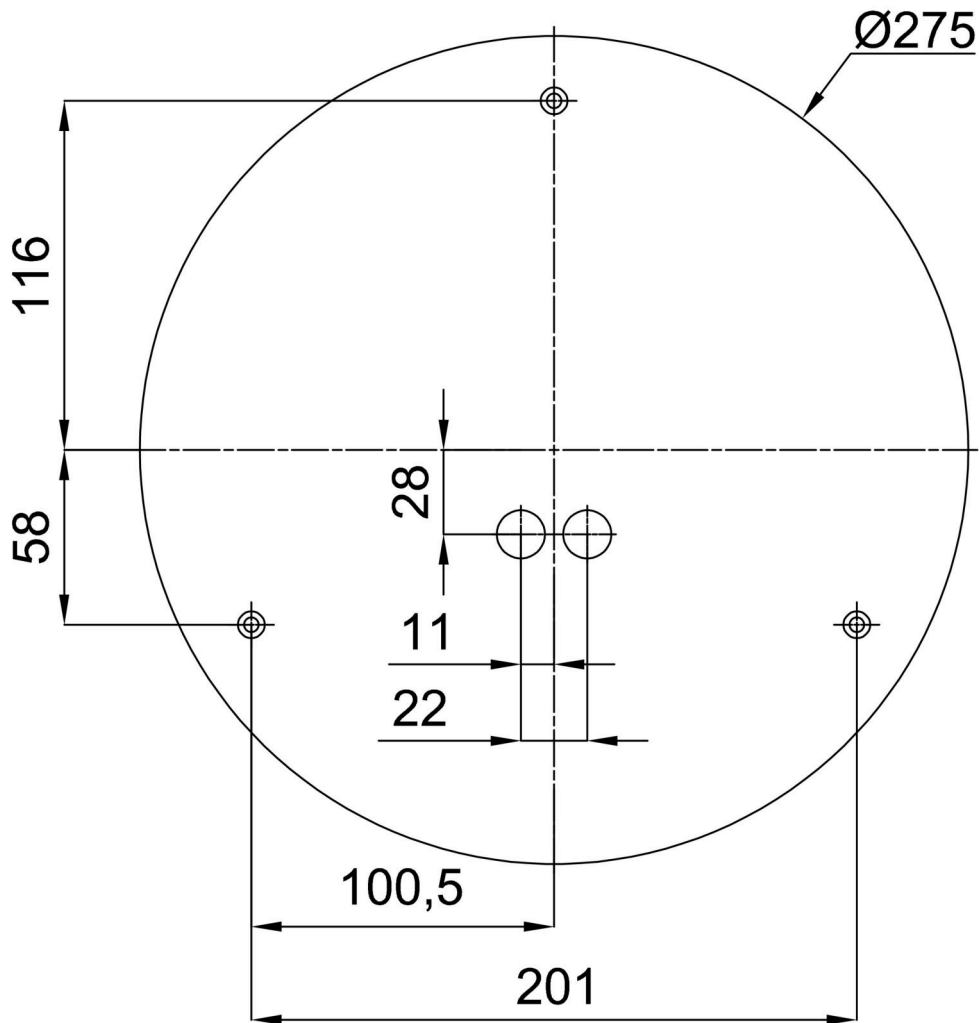
Eulum data for calculation programs are available at www.osmont.cz.

Logistic

| | |
|-------------|---------------|
| EAN | 8591728080907 |
| Weight NTTO | 1.6 Kg |
| Weight BTTO | 1.9 Kg |
| Warranty* | 60 months |

*The warranty for the batteries is valid for 12 months from the date of purchase.

Installation dimensions:




Additional assortment:

Base for surface mounting

| Product code | Name | Color | Description | Picture | Drawing |
|--------------|-----------|------------------|-------------|--|---|
| 33501 | KN6,K6/BP | white Ral9003 | |  |  |

Lampshade

| Product code | Name | Color | Description | Picture | Drawing |
|--------------|-------|-------|-------------|--|---------|
| 20632 | FOP1B | white | |  | |