

## **KRUGER 1 F0**

---

LED-1L14EMP700KN63/F01B HF 3K#

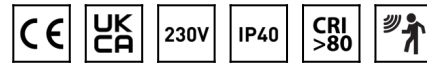
[WWW.OSMONT.CZ](http://WWW.OSMONT.CZ)

# KRUGER 1 FO

Product code: KRU60007

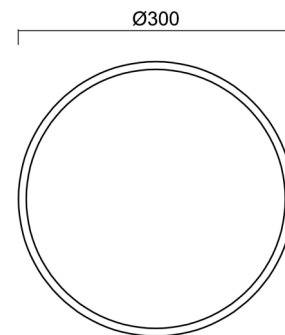
Type: LED-1L14EMP700KN63/F01B HF 3K#

Short description of the luminaire: White color | surface-mounted LED light | microwave HF sensor | multipower function | opal plastic shade | decorative collar



## Technical

Types of luminaires	Sensor
Mounting type	surface mounted
Base material	steel
Shade material	Plastic opal (FO) with metal collar
Base color	white Ral9003
Shade color	white
Holding the shade	folding system
Mounting location	ceiling/wall
Width	300 mm
Length	300 mm
Height	80 mm
Diameter	ø 300 mm
mounting holes (diameter)	3xø5mm
Installation wire (diameter)	2xø16mm
Energy Class	D
Operating temperature	from -20°C to +30°C

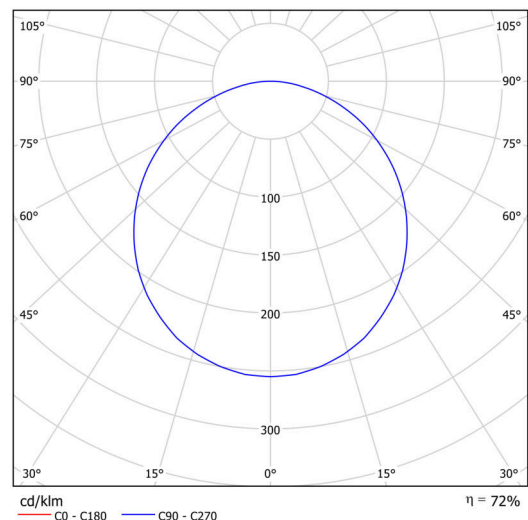


## Electric

Power consumption	18 W
Ingress Protection	IP40
Socket	LED modul
Sensor	HF
terminal block	snap terminal block
Automatic circuit breaker type B10A	37 pcs
Automatic circuit breaker type B16A	59 pcs
Automatic circuit breaker type C10A	37 pcs
Automatic circuit breaker type C16A	59 pcs

## Luminous

Lum. flux of luminaire	1940 lm
Lum. flux of light source	2690 lm
Luminaire efficacy	107 lm/W
Temperature	3000 K
Rated life time LED L80/B10	100000 hours
CRI	Ra80
MacAdam	3
Blue light hazard	Risk group 0



Eulum data for calculation programs are available at [www.osmont.cz](http://www.osmont.cz).

# TECHNICAL SHEET



## Multipower

Possibility of output adjustment by the user (DIP switch on the current source).

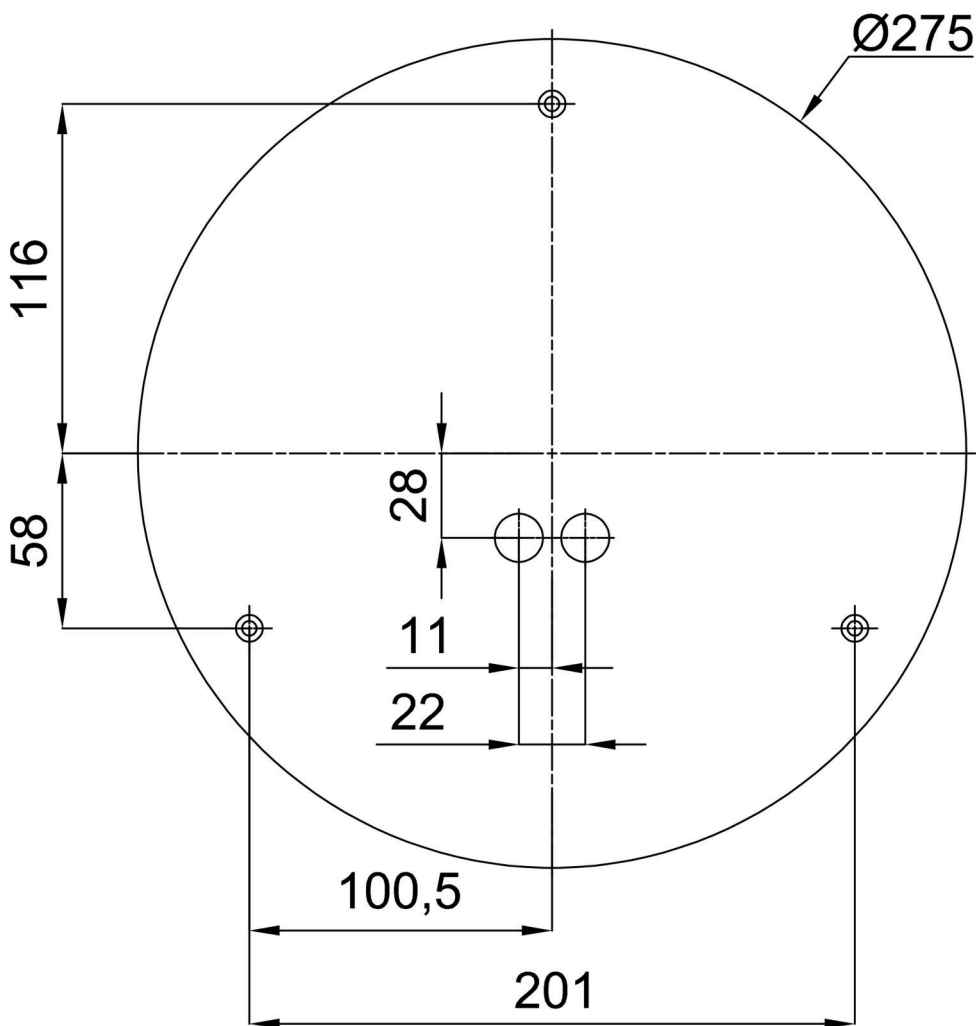
I [mA]	700	600	500	400	
[%]	100	86	71	57	

## Logistic

EAN	8591728080761
Weight NTTO	1.6 Kg
Weight BTTO	1.9 Kg
Warranty*	60 months

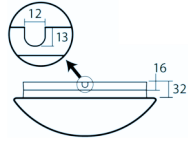
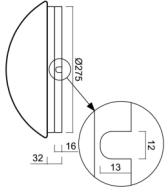
\*The warranty for the batteries is valid for 12 months from the date of purchase.

## Installation dimensions:



Additional assortment:

Base for surface mounting

Product code	Name	Color	Description	Picture	Drawing
33501	KN6,K6/BP	white Ra19003			

Lampshade

Product code	Name	Color	Description	Picture	Drawing
20631	F01B	white		