



KRUGER 1 F0

IN-12KN63/F01B HF*

WWW.OSMONT.CZ

KRUGER 1 FO

Product code: KRU40001

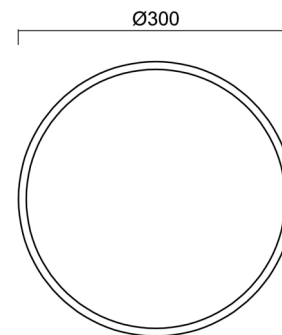
Type: IN-12KN63/F01B HF*

Short description of the luminaire: White color | surface-mounted E27 light | microwave HF sensor | opal plastic shade | decorative collar



Technical

Types of luminaires	Sensor
Mounting type	surface mounted
Base material	steel
Shade material	Plastic opal (FO) with metal collar
Base color	white Ral9003
Shade color	white
Holding the shade	folding system
Mounting location	ceiling/wall
Width	300 mm
Length	300 mm
Height	80 mm
Diameter	ø 300 mm
mounting holes (diameter)	3xø5mm
Installation wire (diameter)	2xø16mm
Operating temperature	from -20°C to +30°C



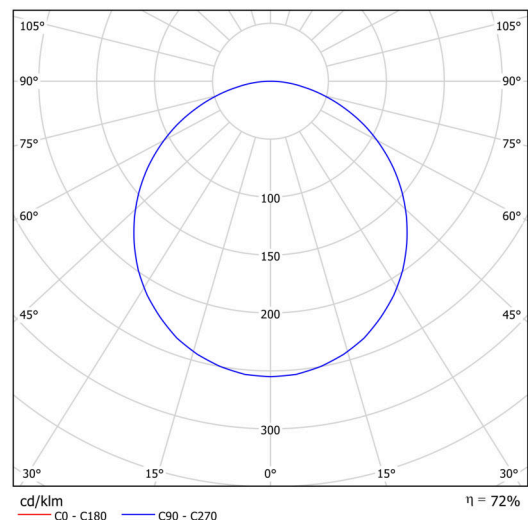
Electric

Power consumption	25 W
Ingress Protection	IP40
Socket	E27
Sensor	HF
terminal block	snap terminal block

Luminous

Blue light hazard	Risk group 0
-------------------	--------------

Eulum data for calculation programs are available at www.osmont.cz.

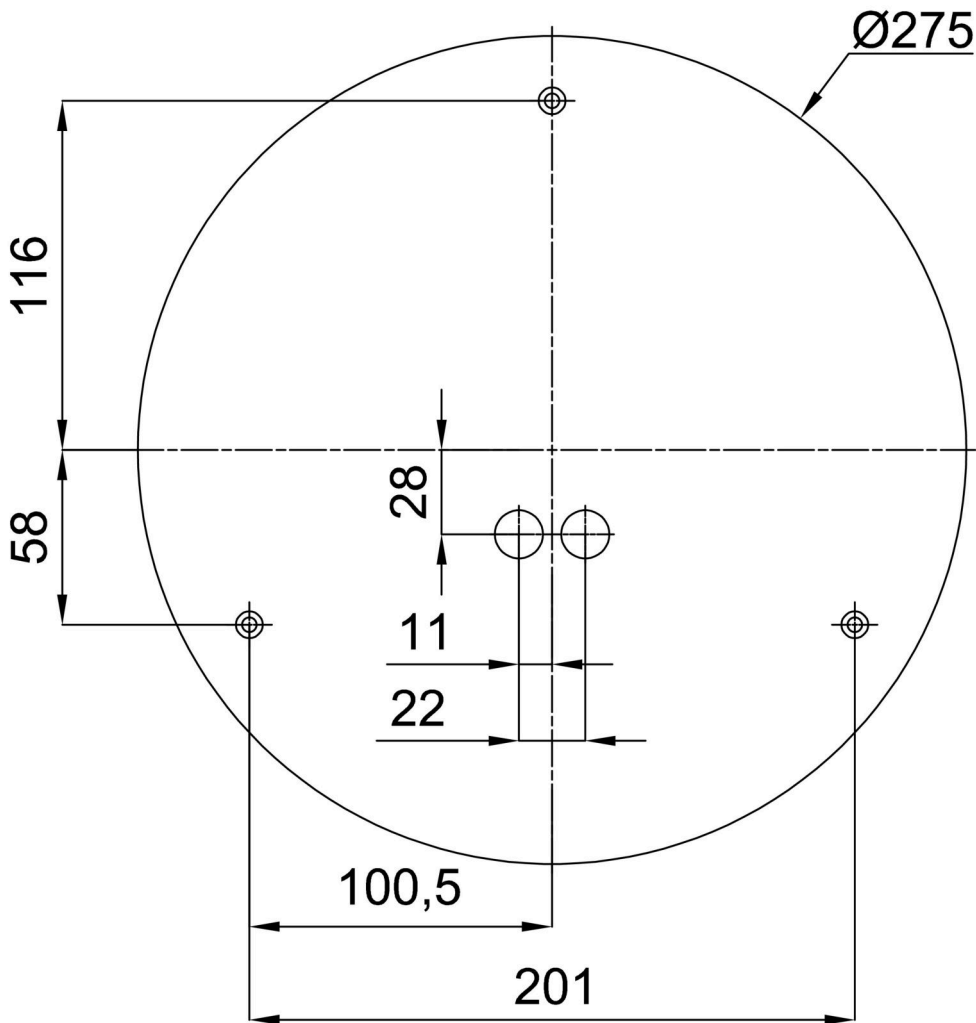


Logistic

EAN	8591728080464
Weight NTTO	1.6 Kg
Weight BTTO	1.9 Kg
Warranty*	60 months

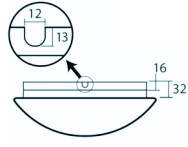
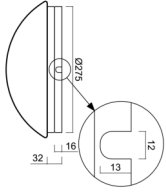
*The warranty for the batteries is valid for 12 months from the date of purchase.

Installation dimensions:



Additional assortment:

Base for surface mounting

Product code	Name	Color	Description	Picture	Drawing
33501	KN6,K6/BP	white Ra19003			

Lampshade

Product code	Name	Color	Description	Picture	Drawing
20631	F01B	white		