



JENA 2

IN-12U9/038 HF*

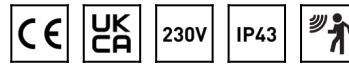
WWW.OSMONT.CZ

JENA 2

Product code: JEN46119

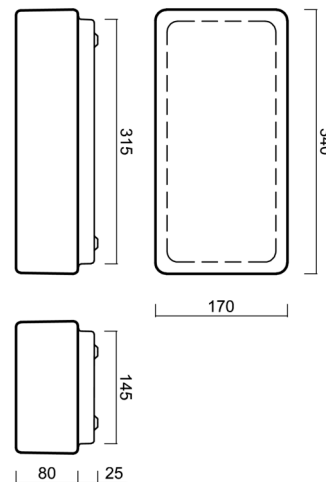
Type: IN-12U9/038 HF*

Short description of the luminaire: White surface-mounted E27 light with sensor with TRIPLEX OPAL glass shade.



Technical

Types of luminaires	Sensor
Mounting type	surface mounted
Base material	steel
Shade material	three-layer glass TRIPLEX OPAL
Base color	white Ral9003
Shade color	white
Holding the shade	folding system
Mounting location	ceiling/wall
Width	340 mm
Length	170 mm
Height	105 mm
mounting holes (diameter)	4xØ5mm
Installation wire (diameter)	2xØ16mm
Impact strength	IK01



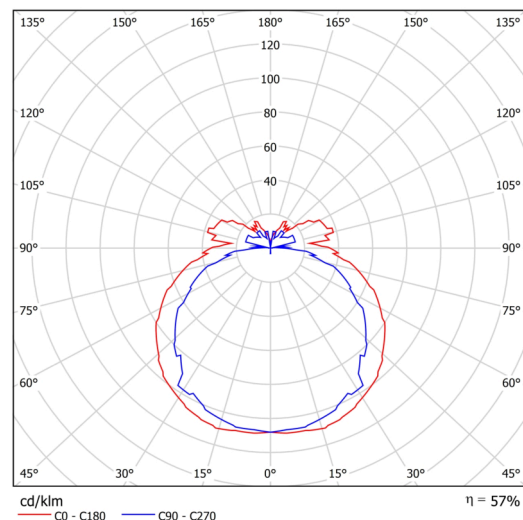
Electric

Power consumption	25 W
Ingress Protection	IP43
Socket	E27
Sensor	HF
terminal block	screw terminal block

Luminous

Blue light hazard	Risk group 0
-------------------	--------------

Eulum data for calculation programs are available at www.osmont.cz.

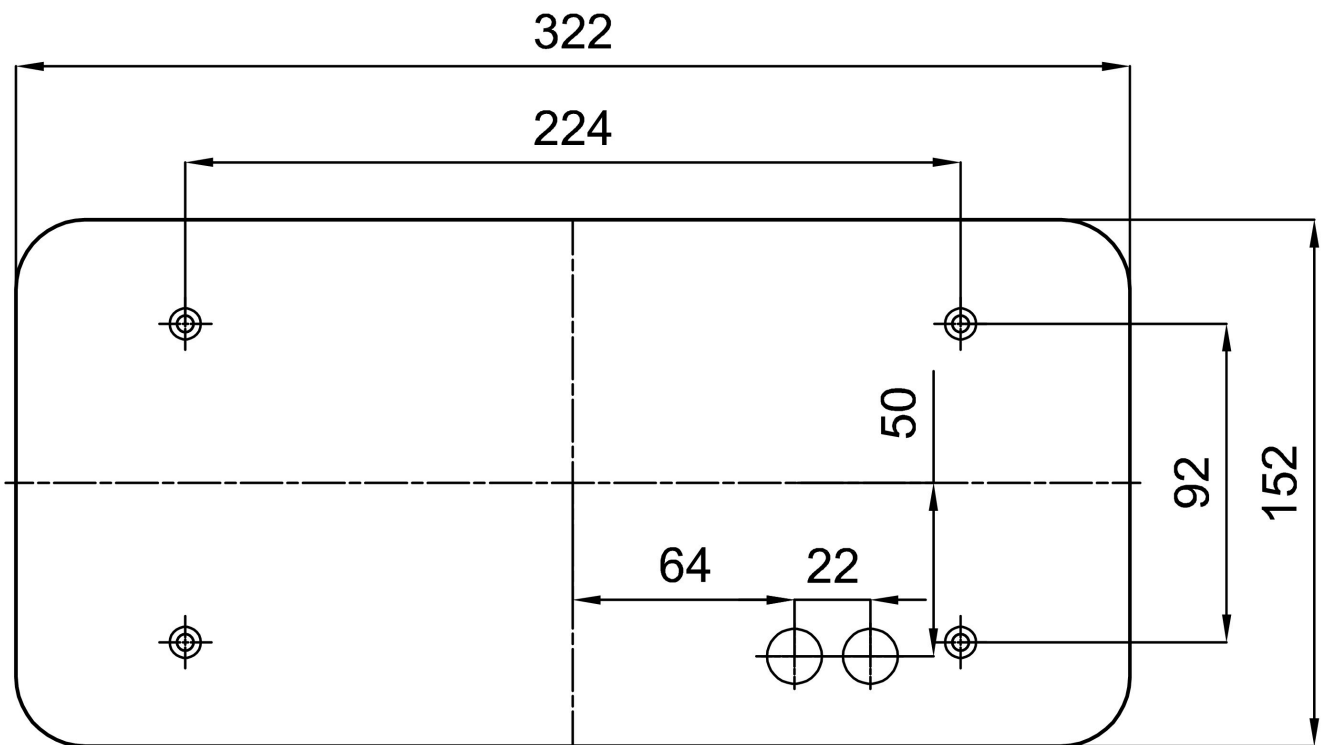


Logistic

EAN	8591728461195
Weight NTTO	2.1 Kg
Weight BTTO	2.3 Kg
Number of cartons	1 pcs
Package volume	0.007 m ³
Package 1 width	0.365 m
Package 1 length	0.18 m
Package 1 height	0.11 m
Warranty*	60 months

*The warranty for the batteries is valid for 12 months from the date of purchase.

Installation dimensions:



Additional assortment:

Lampshade

Product code	Name	Color	Description	Picture	Drawing
20018	038	white		