



## ISIS S4 PE HP

---

LED-5L08E950ZS11/PE4/L100 C 3K##

[WWW.OSMONT.CZ](http://WWW.OSMONT.CZ)

# ISIS S4 PE HP

Product code: ISI63052

Type: LED-5L08E950ZS11/PE4/L100 C 3K##

Short description of the luminaire: Black colour | pendant high-power LED light ON/OFF | polyethylene shade | cable pendant ( with inner support wire) 100 cm |

## Technical

Types of luminaires	Classic on/off
Mounting type	Suspended - cable
Base material	steel
Shade material	polyethylene
Base color	black Ral9005
Shade color	white
Holding the shade	folding system
Mounting location	ceiling
Width	500 mm
Length	500 mm
Height	500 mm
Diameter	ø 500 mm
Hinge length	1000 mm
mounting holes (diameter)	3xø5mm
Cable entrance	2xø16mm
Energy Class	D
Impact strength	IK10
Operating temperature	from -20°C to +30°C

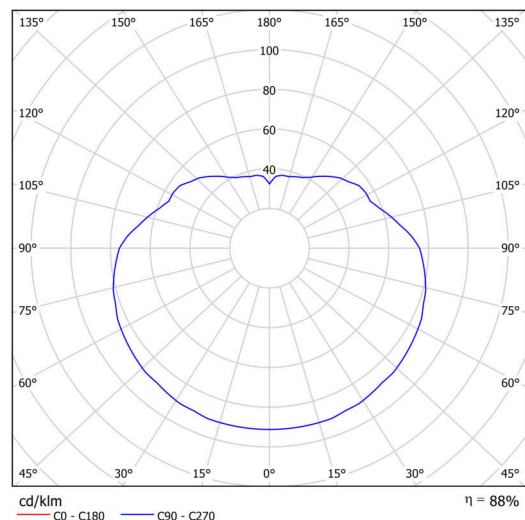
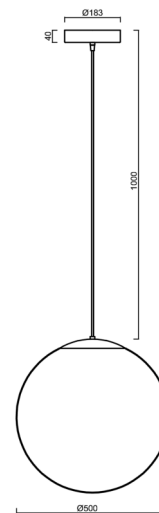
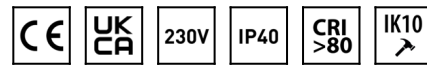
## Electric

Power consumption	59 W
Ingress Protection	IP40
Socket	LED modul
terminal block	snap terminal block
Automatic circuit breaker type B10A	15 pcs
Automatic circuit breaker type B16A	25 pcs
Automatic circuit breaker type C10A	26 pcs
Automatic circuit breaker type C16A	42 pcs

## Luminous

Lum. flux of luminaire	8100 lm
Lum. flux of light source	9200 lm
Luminaire efficacy	137 lm/W
Temperature	3000 K
Rated life time LED L80/B10	100000 hours
CRI	Ra80
MacAdam	3
Blue light hazard	Risk group 0

Eulum data for calculation programs are available at [www.osmont.cz](http://www.osmont.cz).

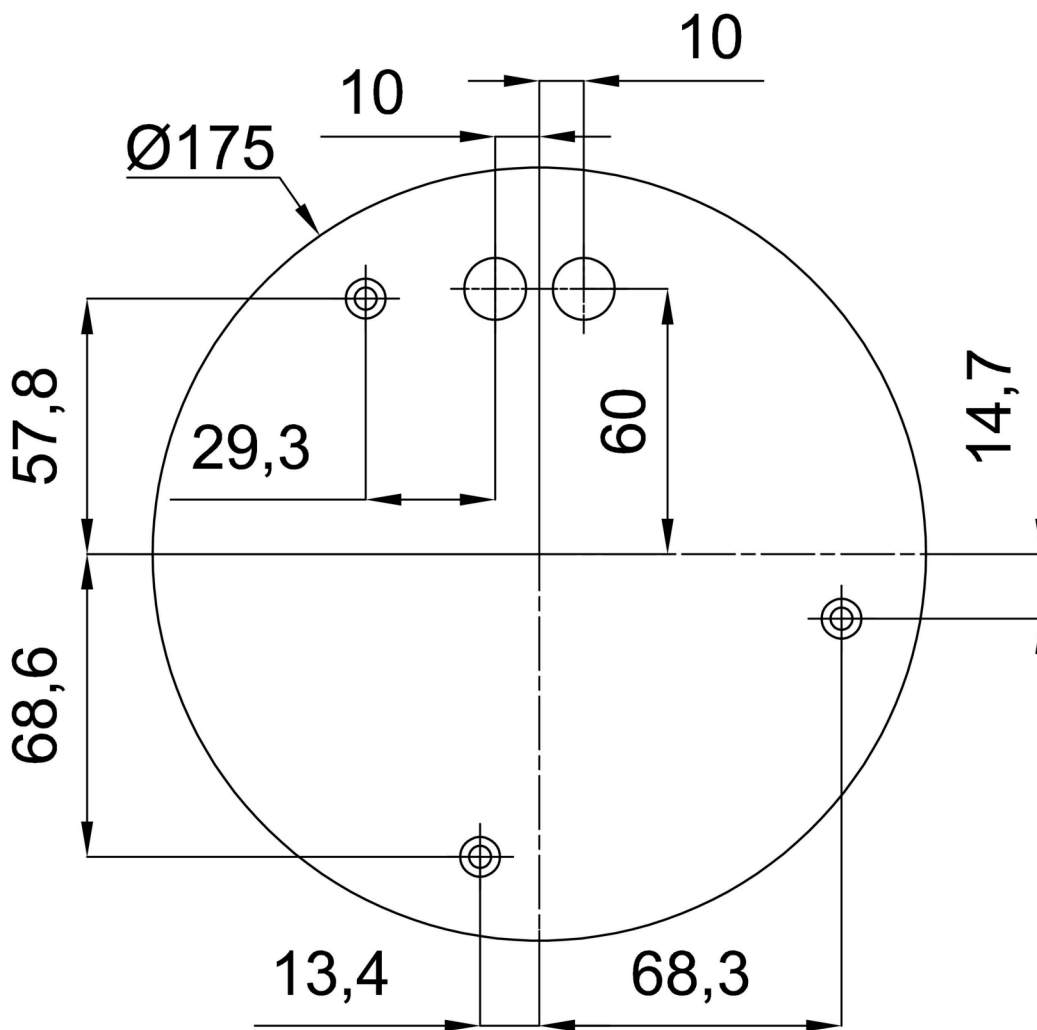


Logistic

EAN	8591728020729
Weight NTTO	3.8 Kg
Weight BTTO	5.3 Kg
Number of cartons	2 pcs
Package volume	0.148 m <sup>3</sup>
Package 1 width	0.52 m
Package 1 length	0.52 m
Package 1 height	0.53 m
Warranty*	60 months

\*The warranty for the batteries is valid for 12 months from the date of purchase.

Installation dimensions:



## Additional assortment:

## Lampshade

Product code	Name	Color	Description	Picture	Drawing
20531	PE4	white	příslušenství	