



## ISIS S3A PM HP

LED-5L06E900ZS11/PM3A/L100 NK3HST NL 4K#

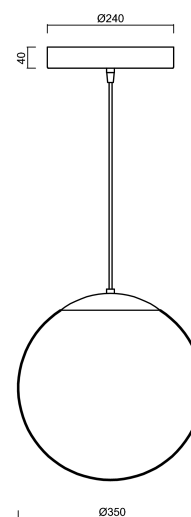
[WWW.OSMONT.CZ](http://WWW.OSMONT.CZ)

# ISIS S3A PM HP

Product code: ISI74775

Type: LED-5L06E900ZS11/PM3A/L100 NK3HST NL 4K#

Short description of the luminaire: Stainless steel polished | pendant high-power LED light with emergency backup combined (with Self-test) | PMMA shade | cable pendant (with inner support wire) 100 cm |



## Technical data

|                           |                              |
|---------------------------|------------------------------|
| Types of luminaires       | Emergency combined SELFTEST  |
| Mounting type             | Suspended - cable            |
| Base material             | stainless steel steel        |
| Shade material            | opal polymethyl methacrylate |
| Base color                | polished stainless steel     |
| Shade color               | white                        |
| Holding the shade         | steel holder                 |
| Mounting location         | ceiling                      |
| Width                     | 350 mm                       |
| Length                    | 350 mm                       |
| Height                    | 350 mm                       |
| Diameter                  | Ø 350 mm                     |
| Suspension length         | 1000 mm                      |
| mounting holes (diameter) | none                         |
| Energy Class              | D                            |
| Impact strength           | IK06                         |
| Operating temperature     | from +5°C to +30°C           |

## Electrical data

|                                     |           |
|-------------------------------------|-----------|
| Power consumption                   | 43 W      |
| Ingress Protection                  | IP40      |
| Socket                              | LED modul |
| Battery type                        | LiFePO4   |
| Emergency time                      | 3 hours   |
| SELFTEST                            | yes       |
| terminal block                      | none      |
| Automatic circuit breaker type B10A | 7 pcs     |
| Automatic circuit breaker type B16A | 12 pcs    |
| Automatic circuit breaker type C10A | 13 pcs    |
| Automatic circuit breaker type C16A | 21 pcs    |
| Number of LED drivers               | 1         |

## Luminous data

|   |          |
|---|----------|
| Lum. flux of luminaire                      | 5870 lm  |
| Lum. flux of light source                   | 6670 lm  |
| Lum. flux of light source in emergency mode | 200 lm   |
| Luminaire efficacy                          | 136 lm/W |
| Chromaticity temperature                    | 4000 K   |



## TECHNICAL SHEET

|                             |              |
|-----------------------------|--------------|
| Rated life time LED L80/B10 | 100000 hours |
| CRI                         | Ra80         |
| MacAdam                     | 3            |
| Blue light hazard           | Risk group 0 |

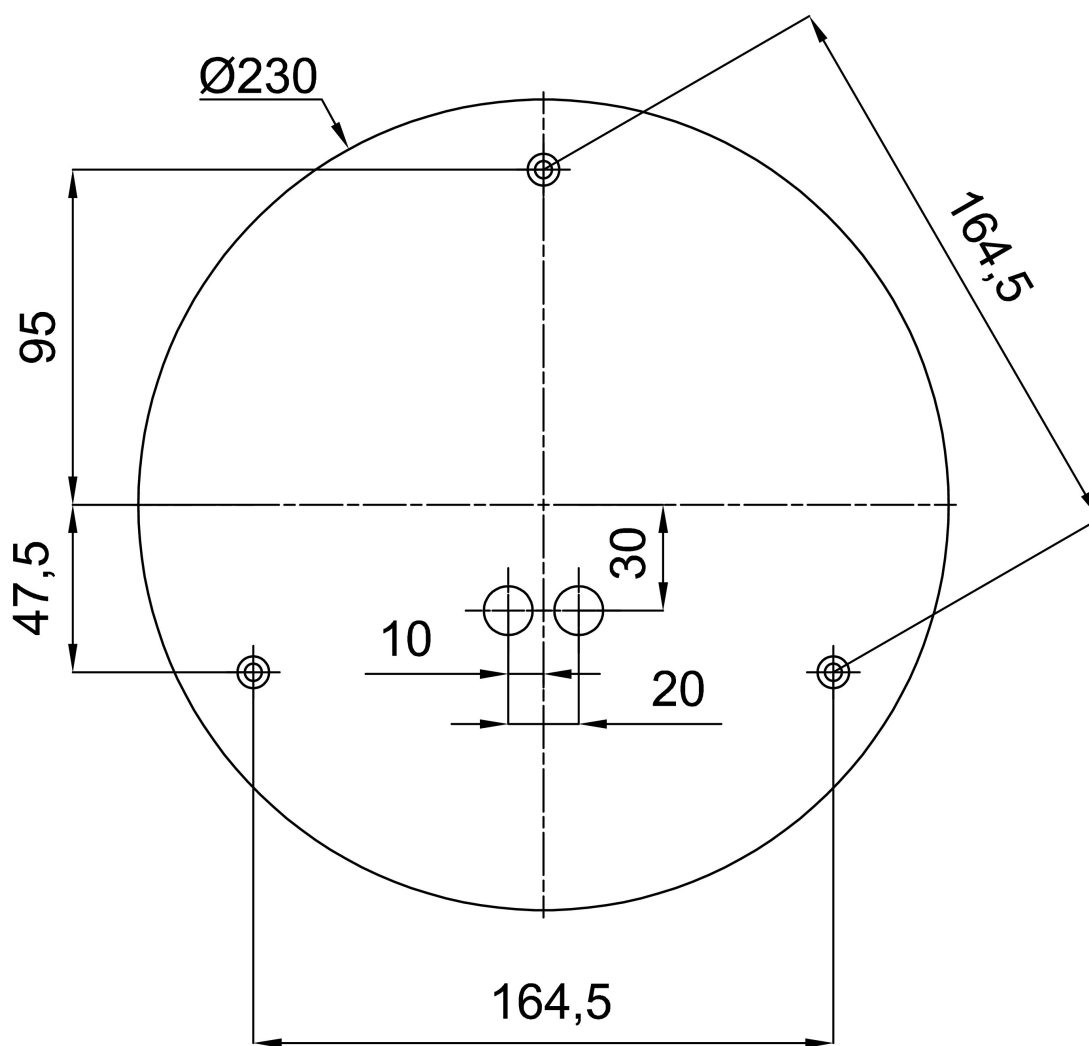
Eulum data for calculation programs are available at [www.osmont.cz](http://www.osmont.cz).

## Logistical data

|           |               |
|-----------|---------------|
| EAN       | 8591728221317 |
| Warranty* | 60 months     |

\*The warranty for the batteries is valid for 36 months from the date of purchase.

## Installation dimensions:



## Additional assortment:

## Lampshade

| Product code | Name         | Color | Picture   | Drawing |
|--------------|--------------|-------|---|---------|
| 20726        | PM3A (400mm) | white |  |         |