



ISIS S3 PM-M

ZS11/PM3M/L100 NL HF*

WWW.OSMONT.CZ

ISIS S3 PM-M

Product code: ISI63688

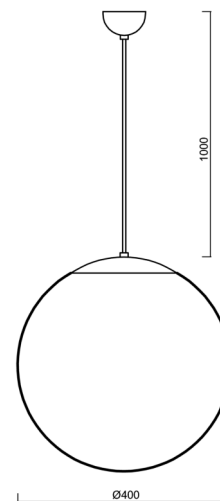
Type: ZS11/PM3M/L100 NL HF*

Short description of the luminaire: Stainless polished finish | pendant E27 light | microwave HF sensor | PMMA matt shade



Technical

Types of luminaires	Sensor
Mounting type	Suspended - cable
Base material	stainless steel steel
Shade material	opal polymethyl methacrylate
Base color	polished stainless steel
Shade color	white
Holding the shade	steel holder
Mounting location	ceiling
Width	400 mm
Length	400 mm
Height	400 mm
Diameter	ø 400 mm
Hinge length	1000 mm
mounting holes (diameter)	none
Installation wire (diameter)	none
Impact strength	IK06
Operating temperature	from -20°C to +30°C



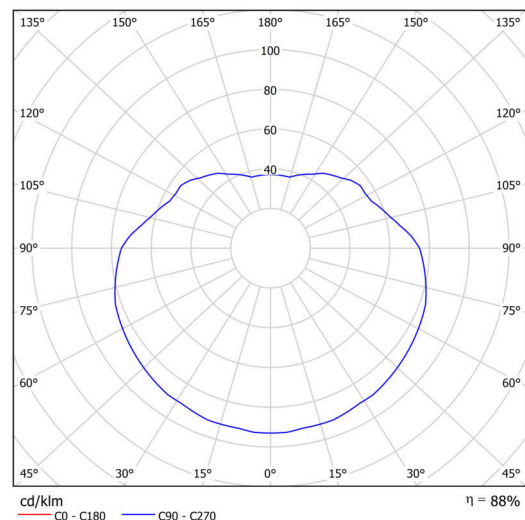
Electric

Power consumption	40 W
Ingress Protection	IP40
Socket	E27
Sensor	HF
terminal block	none

Luminous

Blue light hazard	Risk group 0
-------------------	--------------

Eulum data for calculation programs are available at www.osmont.cz.

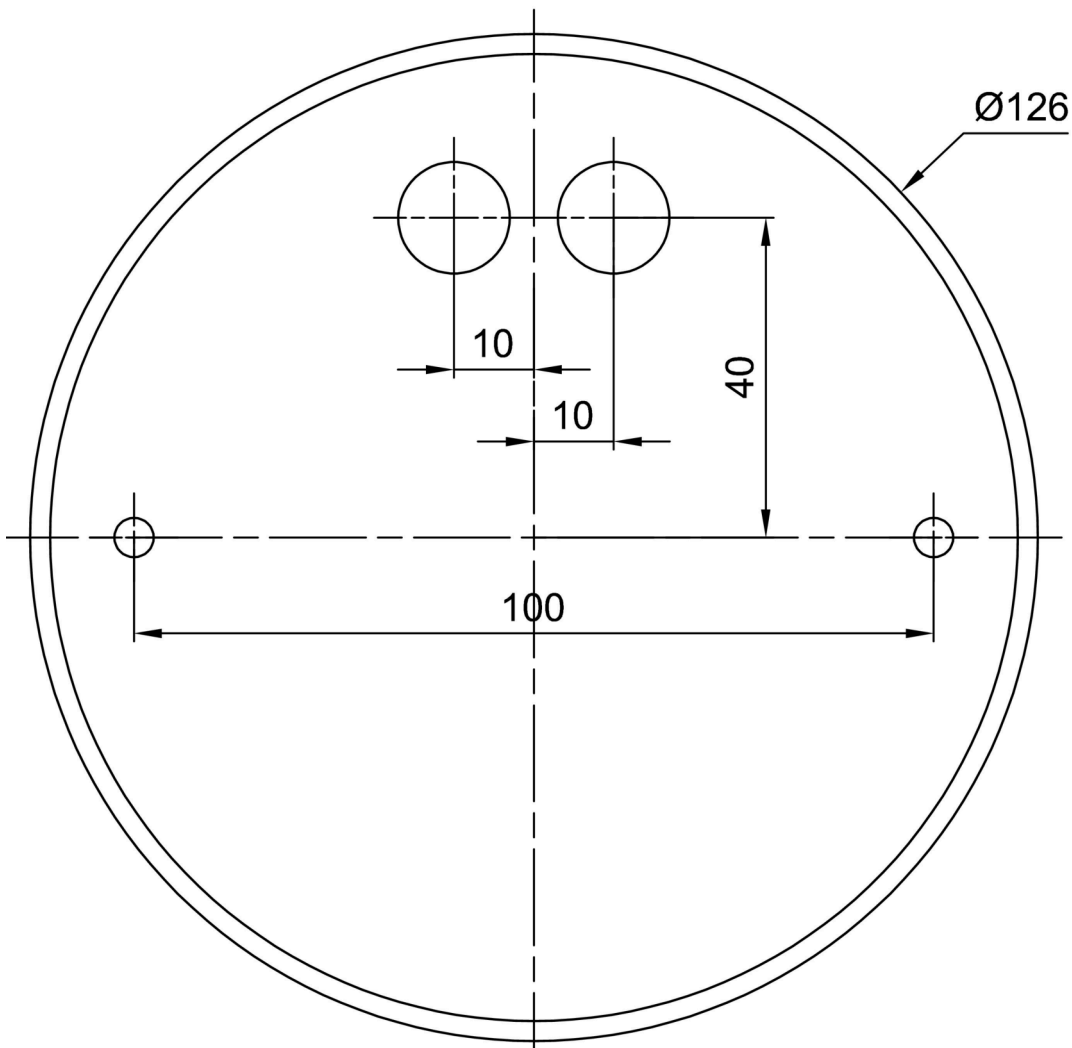


Logistic

EAN	8591728024482
Weight NTTO	2 Kg
Weight BTTO	2.5 Kg
Number of cartons	2 pcs
Package volume	0.072 m ³
Package 1 width	0.405 m
Package 1 length	0.405 m
Package 1 height	0.41 m
Warranty*	60 months

*The warranty for the batteries is valid for 12 months from the date of purchase.

Installation dimensions:



Additional assortment:

Lampshade

Product code	Name	Color	Description	Picture	Drawing
20602	PM3-M	white		