



ISIS S3 PM

ZS11/PM3/L100 NL*

WWW.OSMONT.CZ

ISIS S3 PM

Product code: ISI63313

Type: ZS11/PM3/L100 NL*

Short description of the luminaire: Stainless polished pendant E27 light ON/OFF and PMMA shade.



Technical

Types of luminaires	Classic on/off
Mounting type	Suspended - cable
Base material	stainless steel steel
Shade material	glossy polymethyl methacrylate
Base color	polished stainless steel
Shade color	white
Holding the shade	steel holder
Mounting location	ceiling
Width	400 mm
Length	400 mm
Height	400 mm
Diameter	ø 400 mm
Hinge length	1000 mm
mounting holes (diameter)	none
Installation wire (diameter)	none
Impact strength	IK06
Operating temperature	from -20°C to +30°C

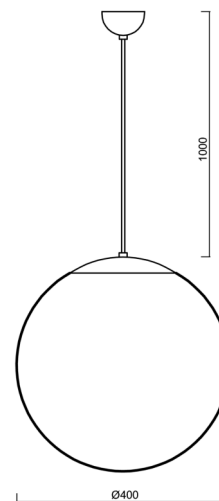
Electric

Voltage type	AC
AC voltage	220 - 240 V
Power consumption	40 W
Ingress Protection	IP40
Socket	E27
terminal block	none

Luminous

Blue light hazard	Risk group 0
-------------------	--------------

Eulum data for calculation programs are available at www.osmont.cz.

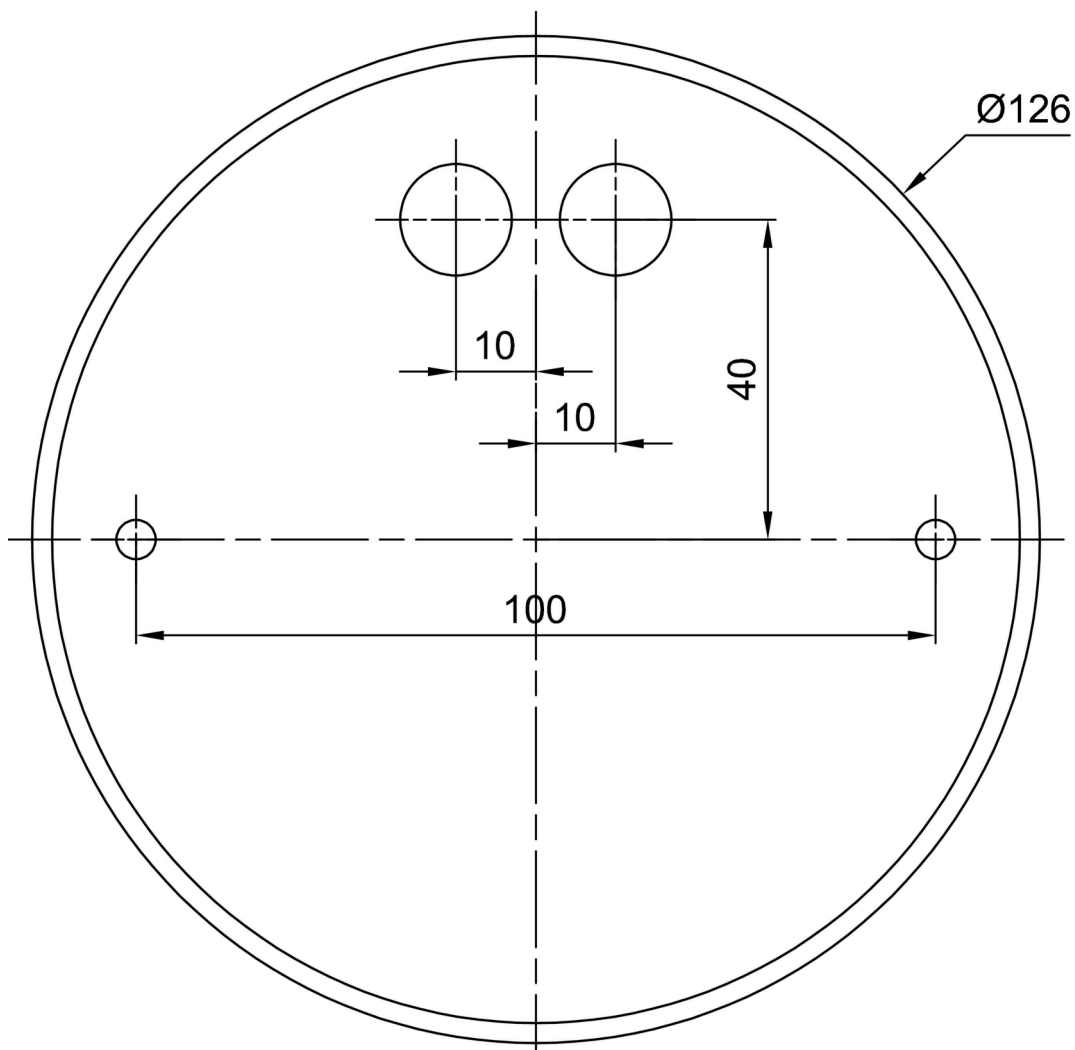


Logistic

EAN	8591728633134
Weight NTTO	2 Kg
Weight BTTO	2.5 Kg
Number of cartons	2 pcs
Package volume	0.072 m ³
Package 1 width	0.405 m
Package 1 length	0.405 m
Package 1 height	0.41 m
Warranty*	60 months

*The warranty for the batteries is valid for 12 months from the date of purchase.

Installation dimensions:



Additional assortment:

Lampshade

Product code	Name	Color	Description	Picture	Drawing
20601	PM3	white		