



ISIS P3A PM HP

LED-5L06E900Z11/PM3A/L60 B DALI 3K#

WWW.OSMONT.CZ

ISIS P3A PM HP

Product code: ISI74107

Type: LED-5L06E900Z11/PM3A/L60 B DALI 3K#

Short description of the luminaire: White colour | pendant high-power LED light DALI | PMMA shadel rod pendant 60 cm |



Technical data

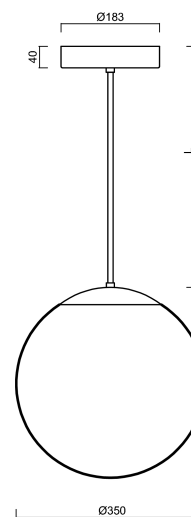
Types of luminaires	Dimmable
Mounting type	Suspended - rod
Base material	steel
Shade material	opal polymethyl methacrylate
Base color	white Ra9003
Shade color	white
Holding the shade	steel holder
Mounting location	ceiling
Width	350 mm
Length	350 mm
Height	350 mm
Diameter	ø 350 mm
Suspension length	600 mm
mounting holes (diameter)	none
Energy Class	D
Impact strength	IK06
Operating temperature	from -20°C to +30°C

Electrical data

Power consumption	43 W
Ingress Protection	IP40
Socket	LED modul
terminal block	none
Automatic circuit breaker type B10A	31 pcs
Automatic circuit breaker type B16A	50 pcs
Automatic circuit breaker type C10A	52 pcs
Automatic circuit breaker type C16A	85 pcs
Switching current	5 A / 50 µsec
Number of LED drivers	1

Luminous data

Lum. flux of luminaire	5630 lm
Lum. flux of light source	6400 lm
Luminaire efficacy	130 lm/W
Chromaticity temperature	3000 K
Rated life time LED L80/B10	100000 hours
CRI	Ra80
MacAdam	3
Blue light hazard	Risk group 0



Eulum data for calculation programs are available at www.osmont.cz.

OSMONT, s.r.o.
HYBRÁLEC 129,
586 01 JIHLAVA, CZ

TECHNICAL SHEET

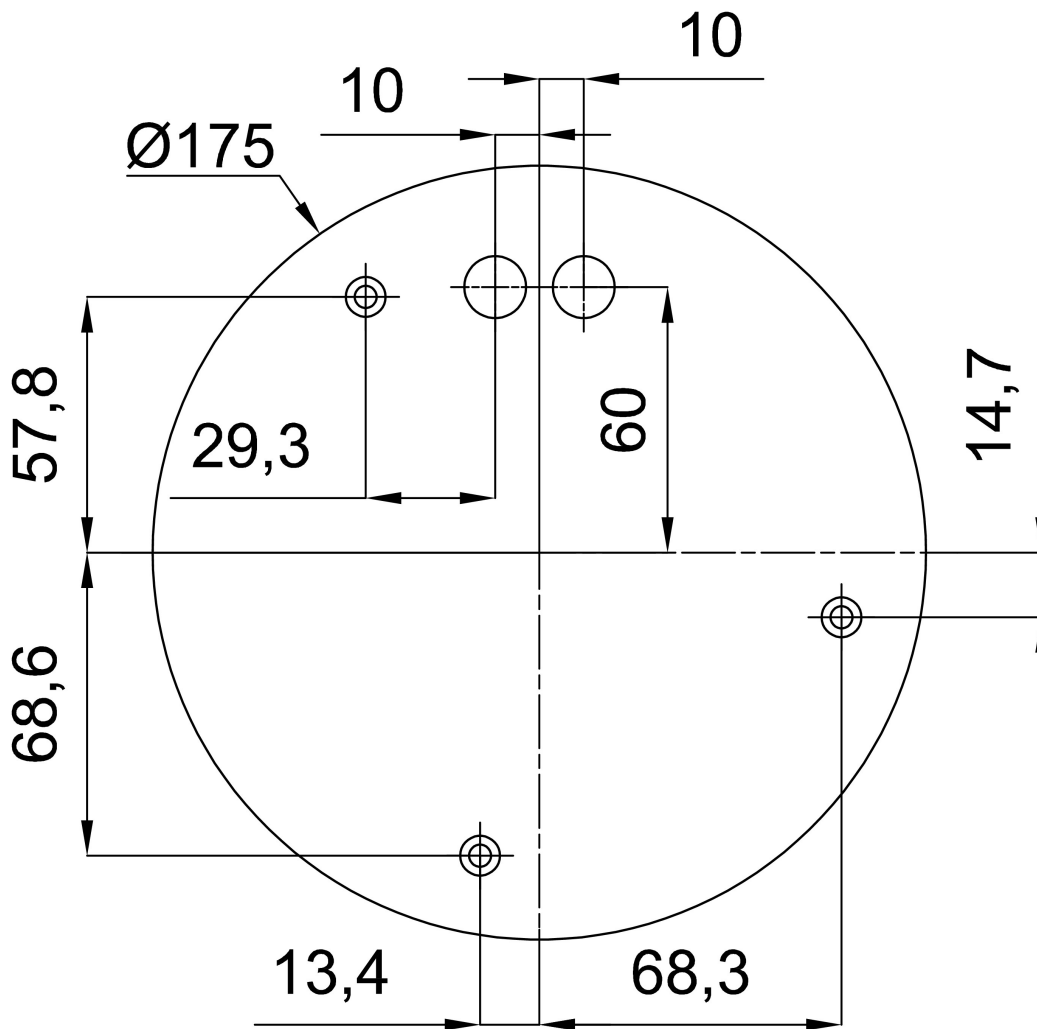


Logistical data

EAN	8591728214821
Warranty*	60 months

*The warranty for the batteries is valid for 36 months from the date of purchase.

Installation dimensions:



Additional assortment:

Lampshade

Product code	Name	Color	Picture	Drawing
20726	PM3A (400mm)	white		