



## ISIS L5 PM

---

ZL11/3/PM5/L100 C\*\*

[WWW.OSMONT.CZ](http://WWW.OSMONT.CZ)

# ISIS L5 PM

Product code: ISI40026

Type: ZL11/3/PM5/L100 C\*\*

Short description of the luminaire: Black color | pendant E27 light | ON/OFF | PMMA shade



## Technical

|                              |                                |
|------------------------------|--------------------------------|
| Types of luminaires          | Classic on/off                 |
| Mounting type                | Suspended - wire               |
| Base material                | steel                          |
| Shade material               | glossy polymethyl methacrylate |
| Base color                   | black Ral9005                  |
| Shade color                  | white                          |
| Holding the shade            | steel holder                   |
| Mounting location            | ceiling                        |
| Width                        | 600 mm                         |
| Length                       | 600 mm                         |
| Height                       | 600 mm                         |
| Diameter                     | ø 600 mm                       |
| Hinge length                 | 1000 mm                        |
| mounting holes (diameter)    | none                           |
| Installation wire (diameter) | none                           |
| Impact strength              | IK06                           |
| Operating temperature        | from -20°C to +30°C            |

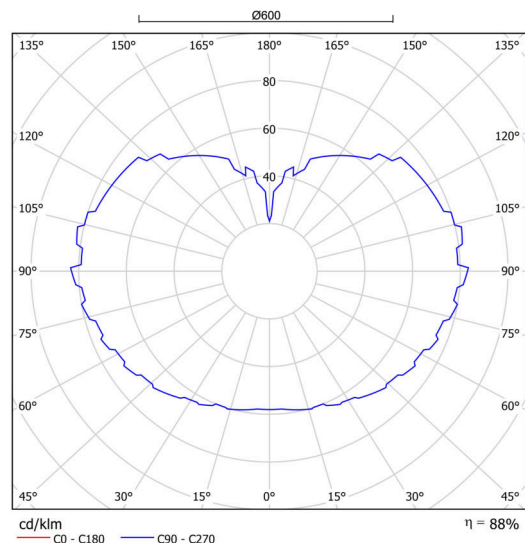
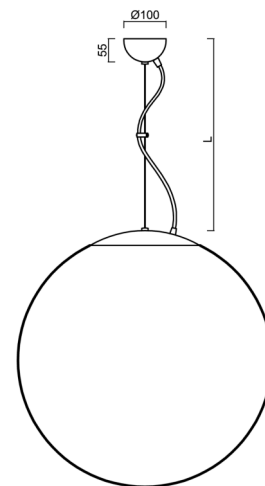
## Electric

|                    |        |
|--------------------|--------|
| Power consumption  | 3x25 W |
| Ingress Protection | IP40   |
| Socket             | E27    |
| terminal block     | none   |

## Luminous

|                   |              |
|-------------------|--------------|
| Blue light hazard | Risk group 0 |
|-------------------|--------------|

Eulum data for calculation programs are available at [www.osmont.cz](http://www.osmont.cz).

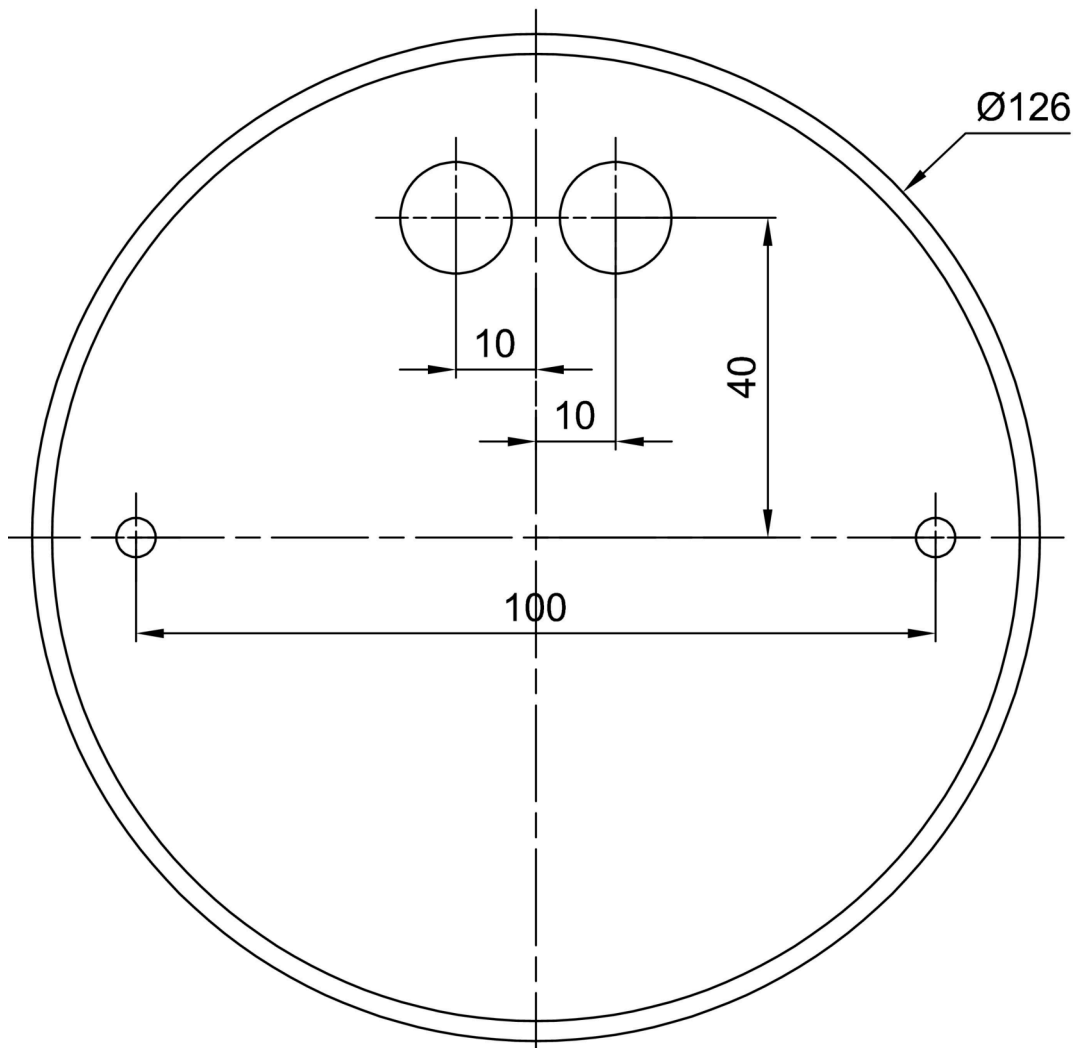


Logistic

|                   |                      |
|-------------------|----------------------|
| EAN               | 8591728011383        |
| Weight NTTO       | 4 Kg                 |
| Weight BTTO       | 6.4 Kg               |
| Number of cartons | 2 pcs                |
| Package volume    | 0.256 m <sup>3</sup> |
| Package 1 width   | 0.62 m               |
| Package 1 length  | 0.62 m               |
| Package 1 height  | 0.63 m               |
| Warranty*         | 60 months            |

\*The warranty for the batteries is valid for 12 months from the date of purchase.

Installation dimensions:



Additional assortment:

## Lampshade

| Product code | Name | Color | Description | Picture | Drawing |
|--------------|------|-------|-------------|---------|---------|
| 20666        | PM5  | white |             |         |         |