



## ISIS L2 PM-M

ZL11/PM2M/L100 B\*

[WWW.OSMONT.CZ](http://WWW.OSMONT.CZ)

# ISIS L2 PM-M

Product code: ISI63775

Type: ZL11/PM2M/L100 B\*

Short description of the luminaire: White pendant E27 light ON/OFF and PMMA matt shade.



## Technical

Types of luminaires	Classic on/off
Mounting type	Suspended - wire
Base material	steel
Shade material	opal polymethyl methacrylate
Base color	white Ral9003
Shade color	white
Holding the shade	steel holder
Mounting location	ceiling
Width	300 mm
Length	300 mm
Height	300 mm
Diameter	ø 300 mm
Hinge length	1000 mm
mounting holes (diameter)	none
Installation wire (diameter)	none
Impact strength	IK06
Operating temperature	from -20°C to +30°C

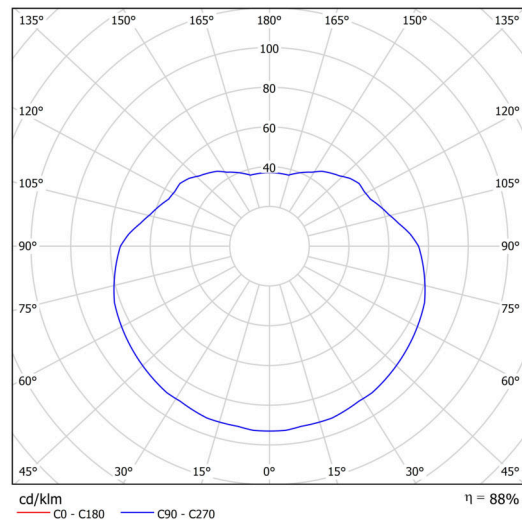
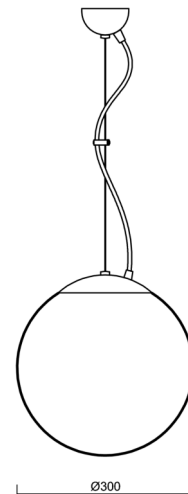
## Electric

Voltage type	AC
AC voltage	220 - 240 V
Power consumption	25 W
Ingress Protection	IP40
Socket	E27
terminal block	none

## Luminous

Blue light hazard	Risk group 0
-------------------	--------------

Eulum data for calculation programs are available at [www.osmont.cz](http://www.osmont.cz).

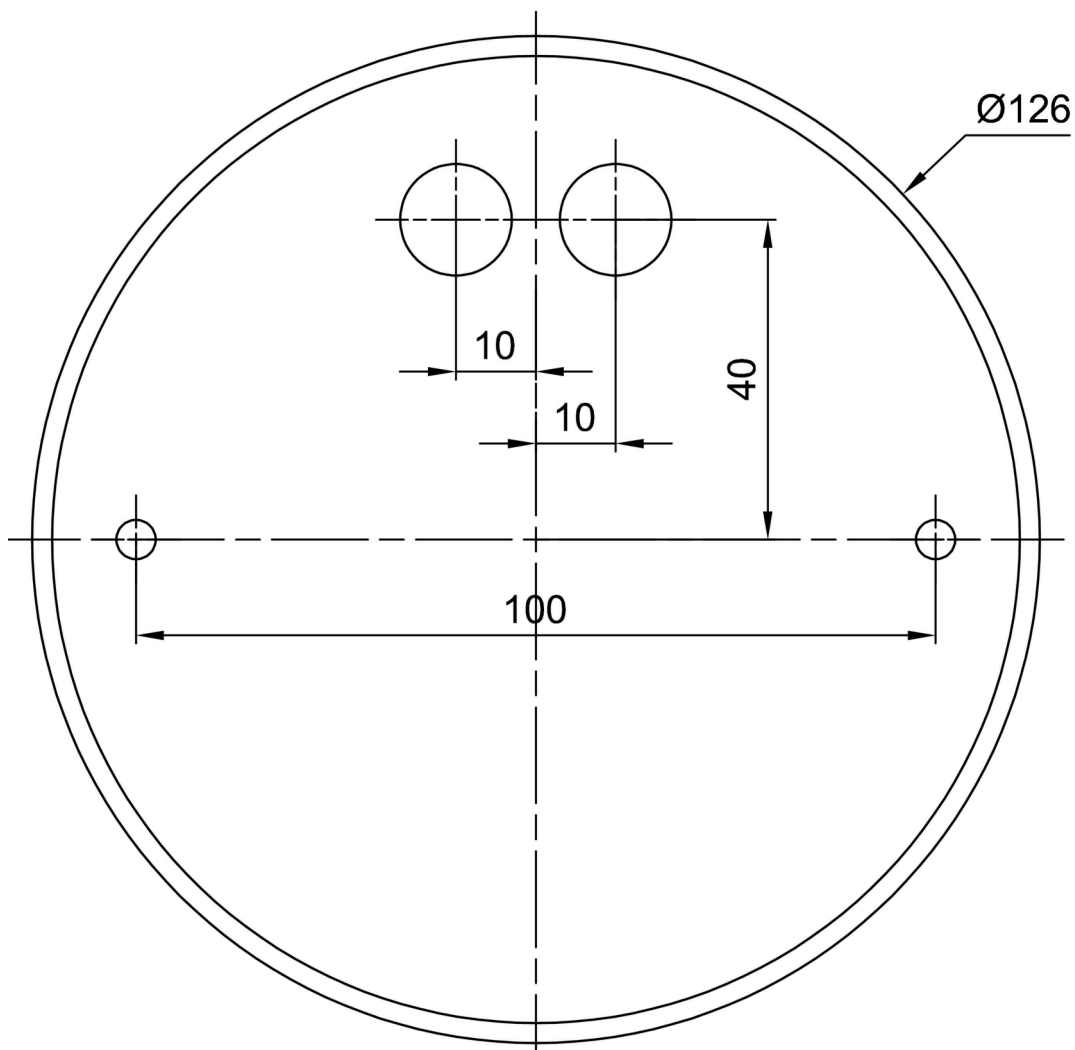


Logistic

EAN	8591728637750
Weight NTTO	1.4 Kg
Weight BTTO	1.9 Kg
Number of cartons	2 pcs
Package volume	0.035 m <sup>3</sup>
Package 1 width	0.31 m
Package 1 length	0.31 m
Package 1 height	0.31 m
Warranty*	60 months

\*The warranty for the batteries is valid for 12 months from the date of purchase.

Installation dimensions:



Additional assortment:

## Lampshade

Product code	Name	Color	Description	Picture	Drawing
20600	PM2-M	white		