



ISIS L1 PM

ZL11/PM1/L100 MS

WWW.OSMONT.CZ

ISIS L1 PM

Product code: ISI71629

Type: ZL11/PM1/L100 MS

Short description of the luminaire: Brass pendant E27 light ON/OFF and PMMA shade.



Technical

Types of luminaires	Classic on/off
Mounting type	Suspended - wire
Base material	brass
Shade material	glossy polymethyl methacrylate
Base color	polished brass
Shade color	white
Holding the shade	steel holder
Mounting location	ceiling
Width	200 mm
Length	200 mm
Height	200 mm
Diameter	ø 200 mm
Hinge length	1000 mm
mounting holes (diameter)	none
Installation wire (diameter)	none
Impact strength	IK06
Operating temperature	from -20°C to +30°C

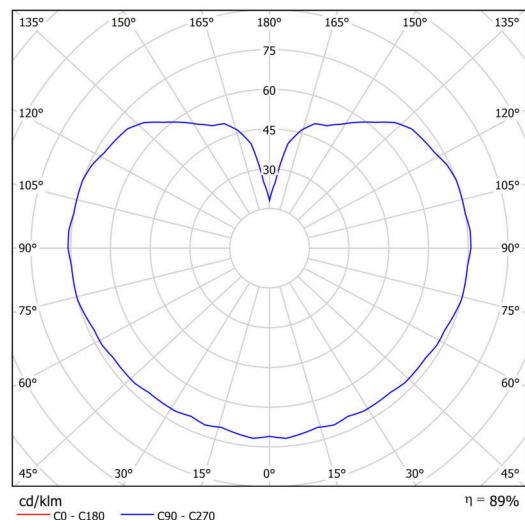
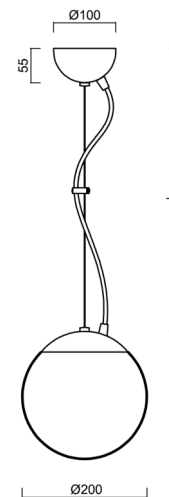
Electric

Voltage type	AC
AC voltage	220 - 240 V
Power consumption	25 W
Ingress Protection	IP40
Socket	E27
terminal block	none

Luminous

Blue light hazard	Risk group 0
-------------------	--------------

Eulum data for calculation programs are available at www.osmont.cz.

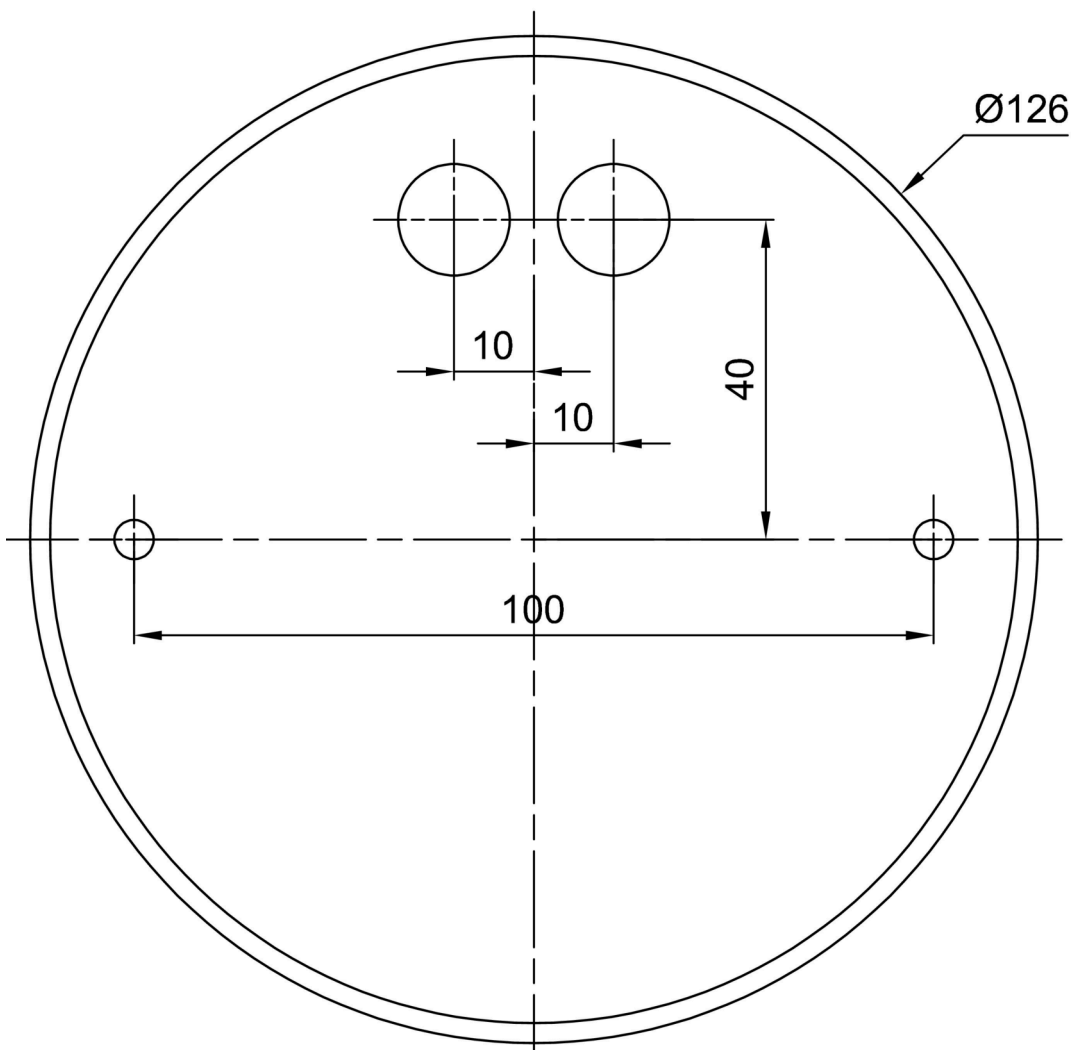


Logistic

EAN	8591728716295
Weight NTTO	1 Kg
Weight BTTO	1.3 Kg
Number of cartons	2 pcs
Package volume	0.014 m ³
Package 1 width	0.21 m
Package 1 length	0.21 m
Package 1 height	0.205 m
Warranty*	60 months

*The warranty for the batteries is valid for 12 months from the date of purchase.

Installation dimensions:



Additional assortment:

Lampshade

Product code	Name	Color	Description	Picture	Drawing
20622	PM1	white		