



GEMINI 1

IN-12U47/207 HF*

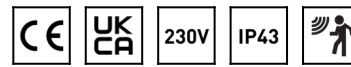
WWW.OSMONT.CZ

GEMINI 1

Product code: GEM44254

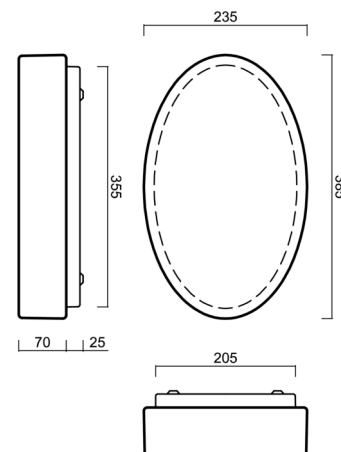
Type: IN-12U47/207 HF*

Short description of the luminaire: White surface-mounted E27 light with sensor with TRIPLEX OPAL glass shade.



Technical

| | |
|------------------------------|--------------------------------|
| Types of luminaires | Sensor |
| Mounting type | surface mounted |
| Base material | steel |
| Shade material | three-layer glass TRIPLEX OPAL |
| Base color | white Ral9003 |
| Shade color | white |
| Holding the shade | folding system |
| Mounting location | ceiling/wall |
| Width | 385 mm |
| Length | 235 mm |
| Height | 95 mm |
| mounting holes (diameter) | 4xØ5mm |
| Installation wire (diameter) | 2xØ16mm |
| Impact strength | IK01 |



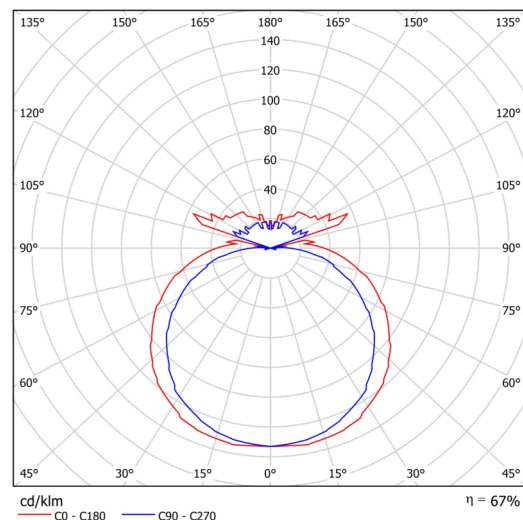
Electric

| | |
|--------------------|---------------------|
| Voltage type | AC |
| AC voltage | 220 - 240 V |
| Power consumption | 25 W |
| Ingress Protection | IP43 |
| Socket | E27 |
| Sensor | HF |
| terminal block | snap terminal block |

Luminous

| | |
|-------------------|--------------|
| Blue light hazard | Risk group 0 |
|-------------------|--------------|

Eulum data for calculation programs are available at www.osmont.cz.

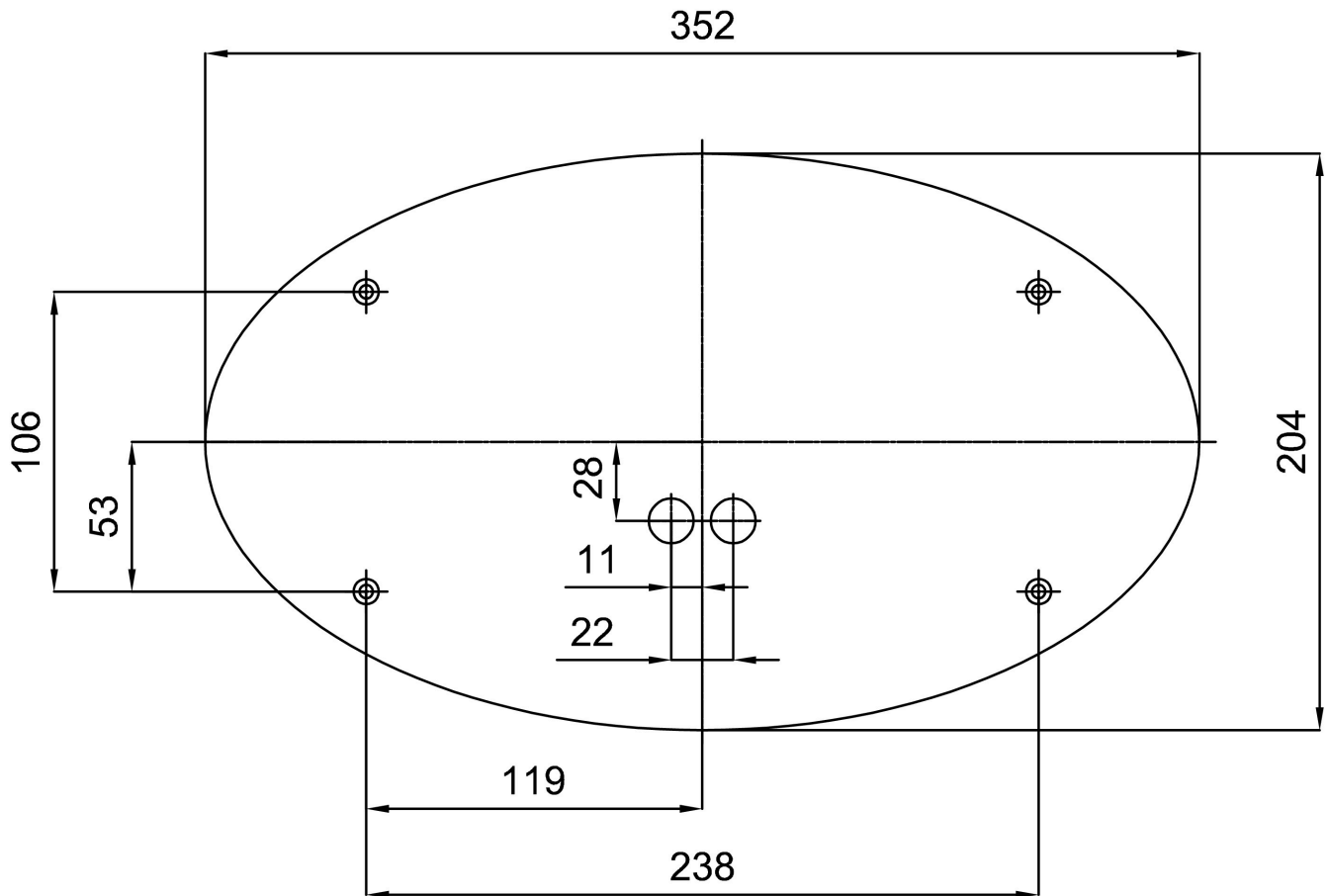


Logistic

| | |
|-------------------|---------------------|
| EAN | 8591728442545 |
| Weight NTTO | 2.8 Kg |
| Weight BTTO | 3.2 Kg |
| Number of cartons | 1 pcs |
| Package volume | 0.01 m ³ |
| Package 1 width | 0.25 m |
| Package 1 length | 0.4 m |
| Package 1 height | 0.1 m |
| Warranty* | 60 months |


*The warranty for the batteries is valid for 12 months from the date of purchase.

Installation dimensions:



Additional assortment:

Lampshade

| Product code | Name | Color | Description | Picture | Drawing |
|--------------|------|-------|-------------|--|---------|
| 20107 | 207 | white | |  | |