



GALAXIA L1

12xLED-1L35E700USZ21/421/L200 4K

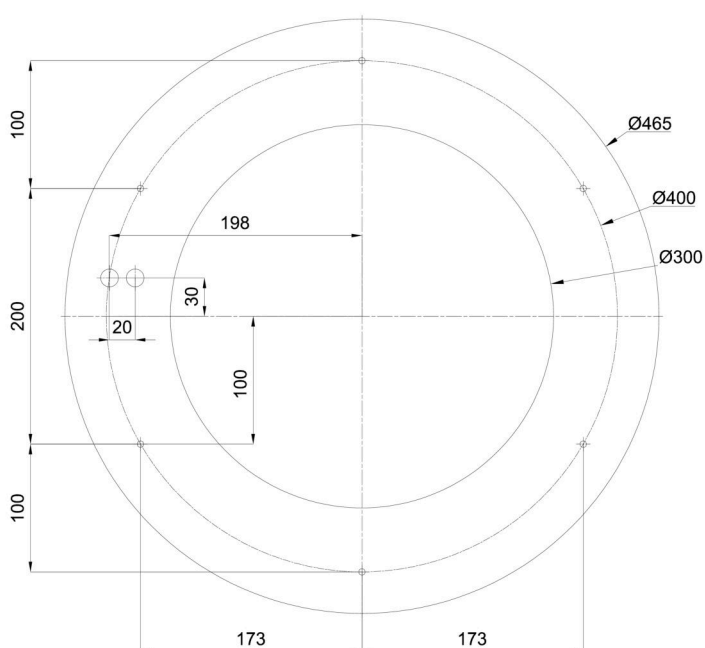
WWW.OSMONT.CZ

Logistic

EAN	8591728121358
Weight NTTO	55 Kg
Weight BTTO	80 Kg
Number of cartons	1 pcs
Warranty*	60 months

*The warranty for the batteries is valid for 12 months from the date of purchase.

Installation dimensions:



Additional assortment:

Lampshade

Product code	Name	Color	Description	Picture	Drawing
20073	421	white		