



GALAXIA L1

12xIN-22USZ21/421/L200**

WWW.OSMONT.CZ

GALAXIA L1

Product code: GAL57026

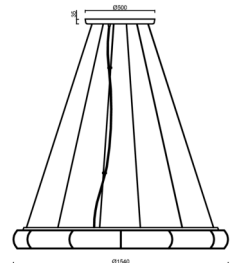
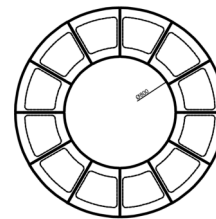
Type: 12xIN-22USZ21/421/L200**

Short description of the luminaire: White pendant E27 light ON/OFF with TRIPLEX OPAL glass shade.



Technical

Types of luminaires	Classic on/off
Mounting type	Suspended - wire
Base material	steel
Shade material	three-layer glass TRIPLEX OPAL
Base color	white Ral9003
Shade color	white
Holding the shade	folding system
Mounting location	ceiling
Width	1540 mm
Length	1540 mm
Height	128 mm
Diameter	ø 1540 mm
Hinge length	2000 mm
mounting holes (diameter)	6xø5mm
Installation wire (diameter)	2xø16mm
Impact strength	IK01
Operating temperature	from -20°C to +30°C



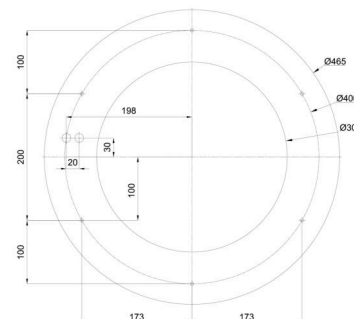
Electric

Voltage type	AC
AC voltage	220 - 240 V
Power consumption	24x25 W
Ingress Protection	IP40
Socket	E27
terminal block	snap terminal block

Luminous

Blue light hazard	Risk group 0
-------------------	--------------

Eulum data for calculation programs are available at www.osmont.cz.

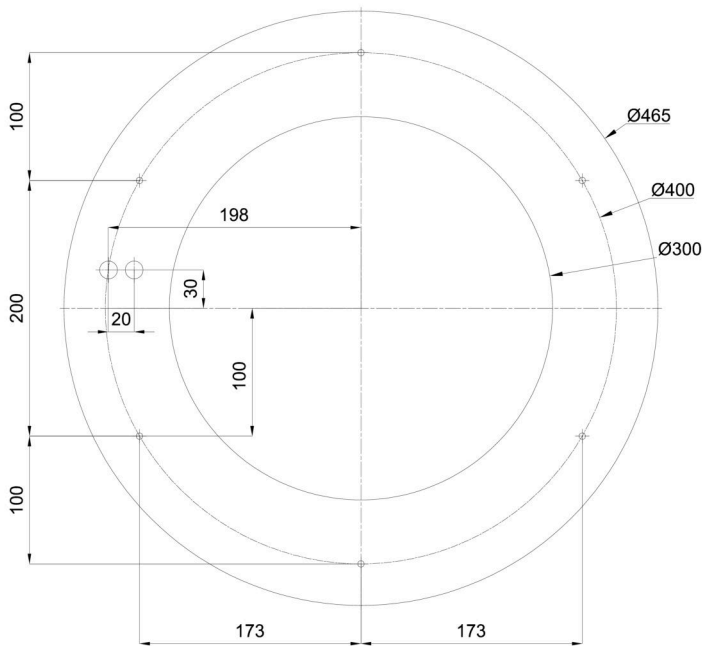


Logistic

EAN	8591728570262
Weight NTTO	55 Kg
Weight BTTO	80 Kg
Number of cartons	1 pcs
Package volume	0.96 m ³
Package 1 width	1.2 m
Package 1 length	0.8 m
Package 1 height	1 m
Warranty*	60 months

*The warranty for the batteries is valid for 12 months from the date of purchase.

Installation dimensions:



Additional assortment:

Lampshade

Product code	Name	Color	Description	Picture	Drawing
20073	421	white		