



ERIS 2

LED-1L14E700K64/412 NK3HST 4K#

WWW.OSMONT.CZ

ERIS 2

Product code: ERI67922

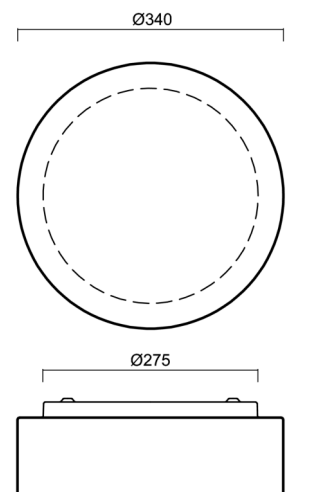
Type: LED-1L14E700K64/412 NK3HST 4K#

Short description of the luminaire: White colour | ceiling or wall LED light with emergency backup combined (with Self-test) | TRIPLEX OPAL hand blown glass shade|



Technical

Types of luminaires	Emergency combined
Mounting type	surface mounted
Base material	steel
Shade material	three-layer glass TRIPLEX OPAL
Base color	white Ral9003
Shade color	white
Holding the shade	folding system
Mounting location	ceiling/wall
Width	340 mm
Length	340 mm
Height	120 mm
mounting holes (diameter)	4xØ5mm
Cable entrance	2xØ16mm
Energy Class	D
Impact strength	IK01
Operating temperature	from 0°C to +30°C



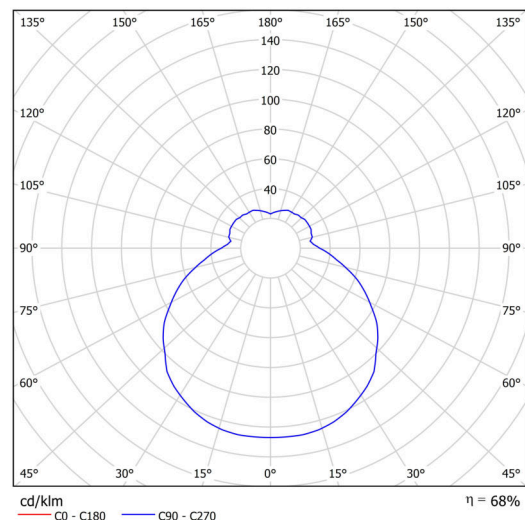
Electric

Power consumption	18 W
Ingress Protection	IP43
Socket	LED modul
Battery type	LiFePO4
Emergency time	3 hours
SELFTEST	yes
terminal block	snap terminal block

Luminous

Lum. flux of luminaire	1910 lm
Lum. flux of light source	2810 lm
Lum. flux of light source in emergency mode	200 lm
Temperature	4000 K
Rated life time LED L80/B10	100000 hours
CRI	Ra80
MacAdam	3
Blue light hazard	Risk group 0

Eulum data for calculation programs are available at www.osmont.cz.



Logistic

EAN	8591728151348
Weight NTTO	3.3 Kg
Weight BTTO	3.5 Kg
Number of cartons	1 pcs
Package volume	0.019 m ³
Package 1 width	0.36 m
Package 1 length	0.35 m
Package 1 height	0.15 m
Warranty*	60 months




*The warranty for the batteries is valid for 12 months from the date of purchase.

Installation dimensions:



Additional assortment:

Decorative collar

Product code	Name	Color	Description	Picture	Drawing
30128	K63/DL15	brushed stainless steel	příslušenství		
30127	K63/DL14	polished stainless steel	příslušenství		
30126	K63/DL4	white Ral9003	příslušenství		

Lampshade

Product code	Name	Color	Description	Picture	Drawing
20123	412	white	příslušenství	 