

ELSA LE16

LED-1L23E950ZLE910/637/L100 S 3K##

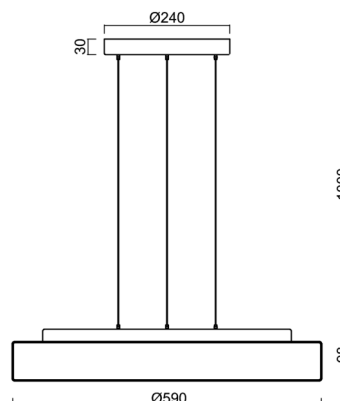
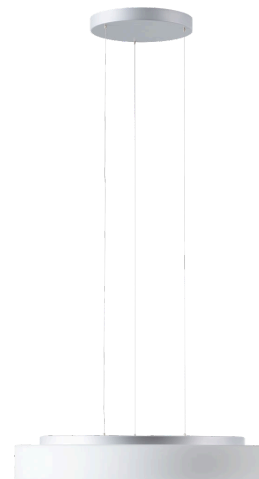
WWW.OSMONT.CZ

ELSA LE16

Product code: ELS72494

Type: LED-1L23E950ZLE910/637/L100 S 3K##

Short description of the luminaire: Silver pendant LED light ON/OFF with TRIPLEX OPAL glass shade.



Technical

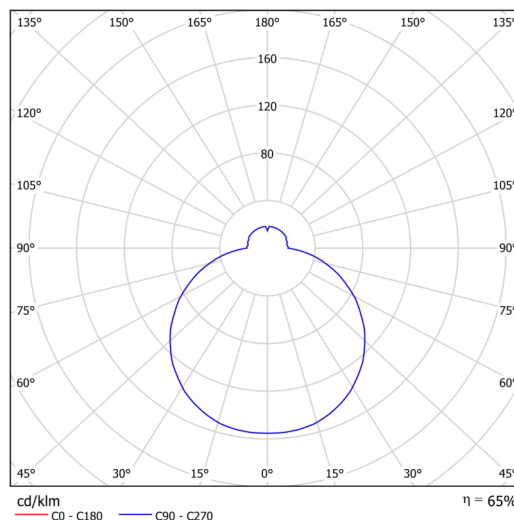
| | |
|------------------------------|-----------------------------------|
| Types of luminaires | Classic on/off |
| Mounting type | Suspended - SELV wire (cableless) |
| Base material | steel |
| Shade material | three-layer glass TRIPLEX OPAL |
| Base color | silver Ral9006 |
| Shade color | white |
| Holding the shade | folding system |
| Mounting location | ceiling |
| Width | 590 mm |
| Length | 590 mm |
| Height | 98 mm |
| Diameter | Ø 590 mm |
| Hinge length | 1000 mm |
| mounting holes (diameter) | 3xØ5mm |
| Installation wire (diameter) | 2xØ16mm |
| Energy Class | D |
| Impact strength | IK01 |
| Operating temperature | from -20°C to +30°C |

Electric

| | |
|-------------------------------------|---------------------|
| Power consumption | 48 W |
| Ingress Protection | IP40 |
| Socket | LED modul |
| terminal block | snap terminal block |
| Automatic circuit breaker type B10A | 11 pcs |
| Automatic circuit breaker type B16A | 17 pcs |
| Automatic circuit breaker type C10A | 18 pcs |
| Automatic circuit breaker type C16A | 28 pcs |

Luminous

| | |
|-----------------------------|--------------|
| Lum. flux of luminaire | 4830 lm |
| Lum. flux of light source | 7430 lm |
| Luminaire efficacy | 100 lm/W |
| Temperature | 3000 K |
| Rated life time LED L80/B10 | 100000 hours |
| CRI | Ra80 |
| MacAdam | 3 |
| Blue light hazard | Risk group 0 |



Eulum data for calculation programs are available at

Logistic

| | |
|-------------------|----------------------|
| EAN | 8591728098360 |
| Weight NTTO | 7.6 Kg |
| Weight BTTO | 8.4 Kg |
| Number of cartons | 1 pcs |
| Package volume | 0.086 m ³ |
| Package 1 width | 0.6 m |
| Package 1 length | 0.6 m |
| Package 1 height | 0.24 m |
| Warranty* | 60 months |


*The warranty for the batteries is valid for 12 months from the date of purchase.

Installation dimensions:



Additional assortment:

Lampshade

| Product code | Name | Color | Description | Picture | Drawing |
|--------------|------|-------|-------------|--|---------|
| 20141 | 637 | white | |  | |