



## ELSA 4

---

LED-1L16E350BT15/029 NK3HST HF 3K#

[WWW.OSMONT.CZ](http://WWW.OSMONT.CZ)

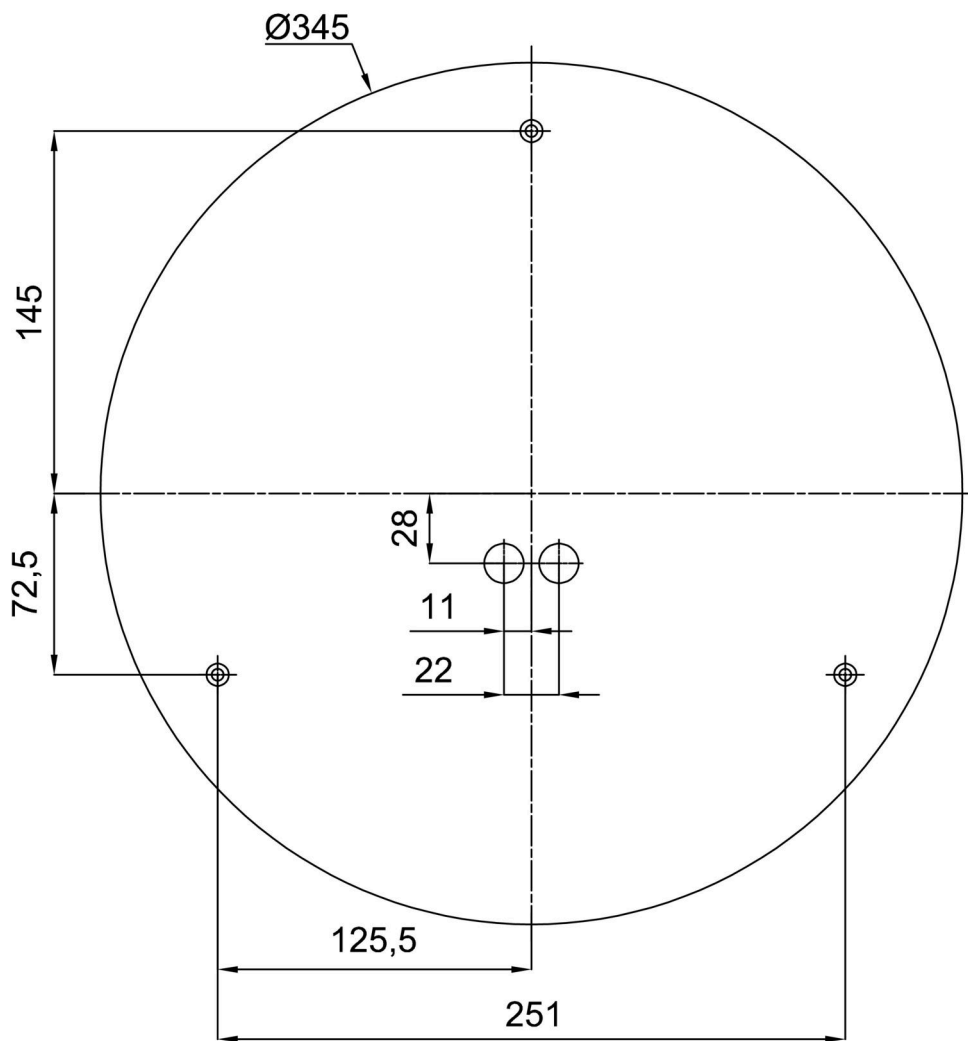


Logistic

EAN	8591728150891
Weight NTTO	3.7 Kg
Weight BTTO	4.1 Kg
Number of cartons	1 pcs
Package volume	0.023 m <sup>3</sup>
Package 1 width	0.435 m
Package 1 length	0.435 m
Package 1 height	0.12 m
Warranty*	60 months

\*The warranty for the batteries is valid for 12 months from the date of purchase.

Installation dimensions:





Lampshade

Product code	Name	Color	Description	Picture	Drawing
20083	029	white		