



ELEKTRA 4

IN-172*

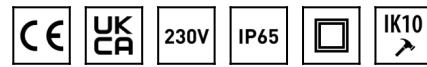
WWW.OSMONT.CZ

ELEKTRA 4

Product code: ELE50028

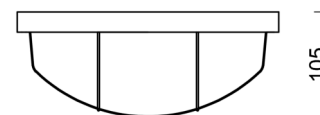
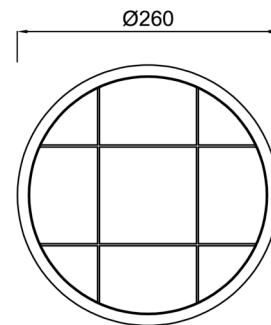
Type: IN-172*

Short description of the luminaire: White industrial E27 light ON/OFF and polycarbonate shade.



Technical

Types of luminaires	Classic on/off
Mounting type	industrial
Base material	polycarbonate
Shade material	clear polycarbonate
Base color	white Ral9003
Shade color	clear
Holding the shade	screws
Mounting location	ceiling/wall
Width	260 mm
Length	260 mm
Height	110 mm
Diameter	ø 260 mm
mounting holes (diameter)	4xø5mm
Installation wire (diameter)	2xø16mm
Impact strength	IK10
Operating temperature	from -20°C to +30°C



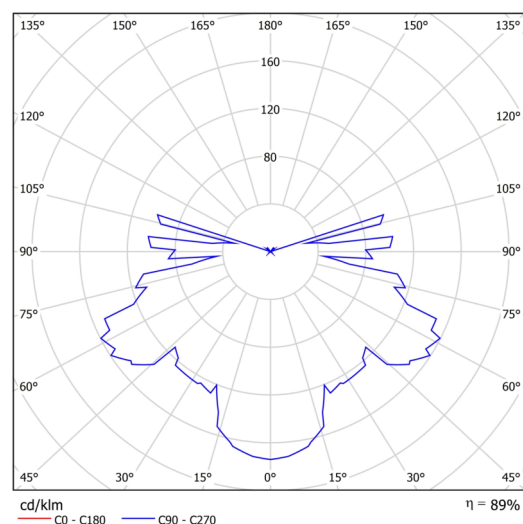
Electric

Voltage type	AC
AC voltage	220 - 240 V
Power consumption	25 W
Coverage class	2
Ingress Protection	IP65
Socket	E27
terminal block	none

Luminous

Blue light hazard	Risk group 0
-------------------	--------------

Eulum data for calculation programs are available at www.osmont.cz.



Logistic

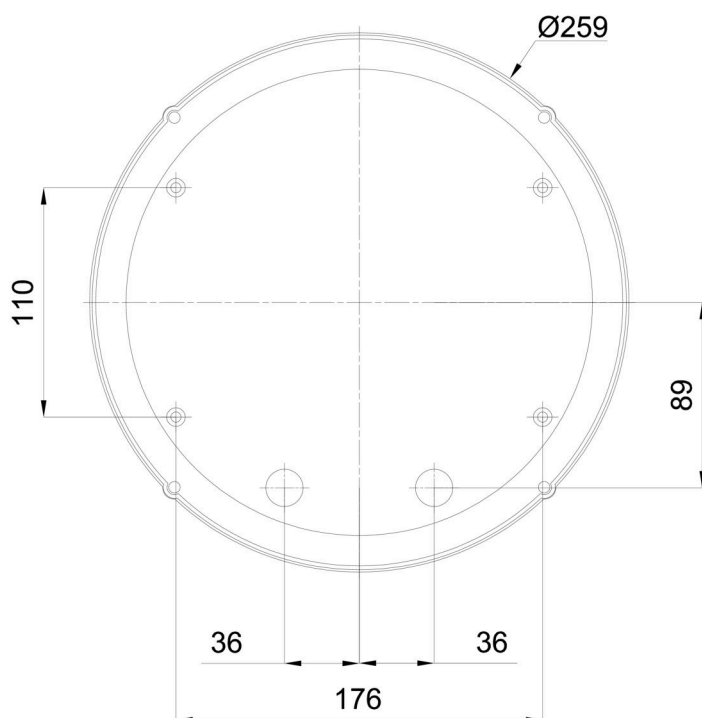
EAN	8591728500283
Weight NTTO	0.7 Kg

TECHNICAL SHEET

Weight BTTO	0.9 Kg
Number of cartons	1 pcs
Package volume	0.009 m ³
Package 1 width	0.285 m
Package 1 length	0.27 m
Package 1 height	0.115 m
Warranty*	60 months

*The warranty for the batteries is valid for 12 months from the date of purchase.

Installation dimensions:



Additional assortment:

Lampshade

Product code	Name	Color	Description	Picture	Drawing
20502	172, 172L	white		