



ELEKTRA 2

LED-1L26E700/IN-63 3K#

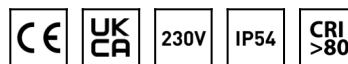
WWW.OSMONT.CZ

ELEKTRA 2

Product code: ELE57261

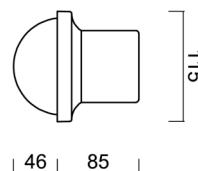
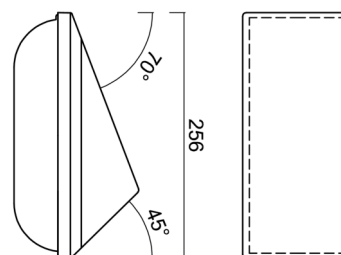
Type: LED-1L26E700/IN-63 3K#

Short description of the luminaire: White industrial LED light ON/OFF and polypropylene shade.



Technical

Types of luminaires	Classic on/off
Mounting type	industrial
Base material	polycarbonate
Shade material	polypropylene
Base color	white Ra9003
Shade color	white
Holding the shade	screws
Mounting location	ceiling/wall
Width	225 mm
Length	115 mm
Height	130 mm
mounting holes (diameter)	4xØ5mm
Installation wire (diameter)	2xØ18mm
Energy Class	D
Impact strength	IK07
Operating temperature	from -20°C to +30°C



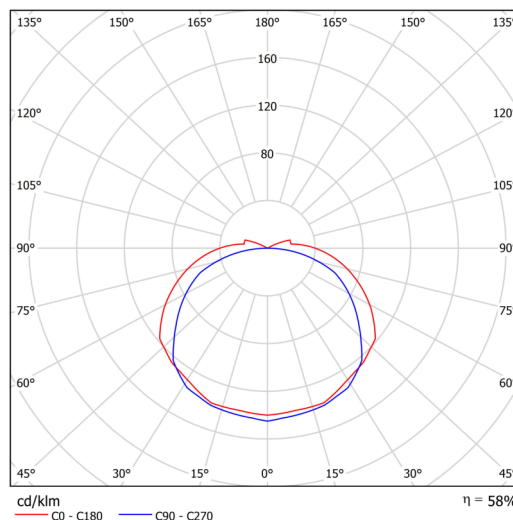
Electric

Power consumption	7 W
Ingress Protection	IP54
Socket	LED modul
terminal block	screw terminal block
Automatic circuit breaker type B10A	50 pcs
Automatic circuit breaker type B16A	78 pcs
Automatic circuit breaker type C10A	84 pcs
Automatic circuit breaker type C16A	130 pcs

Luminous

Lum. flux of luminaire	810 lm
Lum. flux of light source	1010 lm
Luminaire efficacy	115 lm/W
Temperature	3000 K
Rated life time LED L80/B10	100000 hours
CRI	Ra80
MacAdam	3
Blue light hazard	Risk group 0

Eulum data for calculation programs are available at www.osmont.cz.

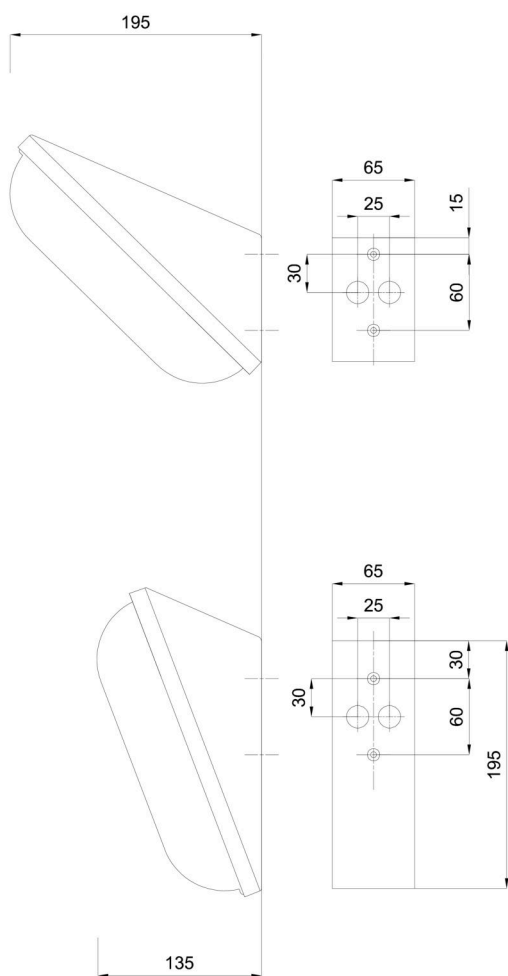


Logistic

EAN	8591728095017
Weight NTTO	0.5 Kg
Weight BTTO	0.6 Kg
Number of cartons	1 pcs
Package volume	0.003 m ³
Package 1 width	0.26 m
Package 1 length	0.12 m
Package 1 height	0.1 m
Warranty*	60 months

*The warranty for the batteries is valid for 12 months from the date of purchase.

Installation dimensions:



Additional assortment:

Lampshade

Product code	Name	Color	Description	Picture	Drawing
20501	64, 63	white		