



## EDNA 3

---

IN-22DU63/024\*

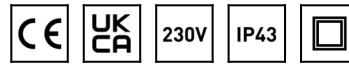
[WWW.OSMONT.CZ](http://WWW.OSMONT.CZ)

# EDNA 3

Product code: EDN41232

Type: IN-22DU63/024\*

Short description of the luminaire: White surface-mounted E27 light ON/OFF with TRIPLEX OPAL glass shade.



## Technical

Types of luminaires	Classic on/off
Mounting type	surface mounted
Base material	polycarbonate
Shade material	three-layer glass TRIPLEX OPAL
Base color	white Ral9003
Shade color	white
Holding the shade	folding system
Mounting location	ceiling/wall
Width	350 mm
Length	350 mm
Height	105 mm
Diameter	ø 350 mm
mounting holes (diameter)	4xø5mm
Installation wire (diameter)	2xø14mm
Impact strength	IK01

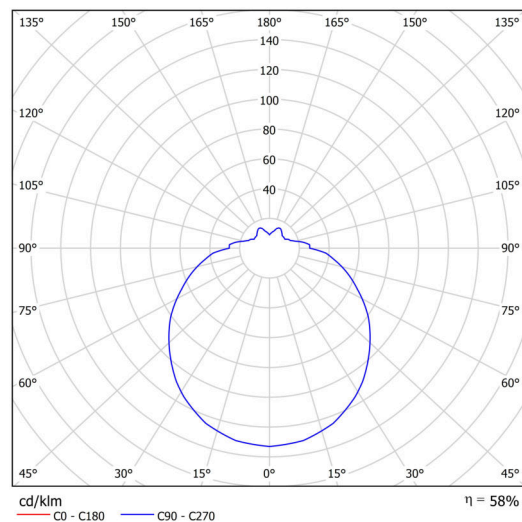
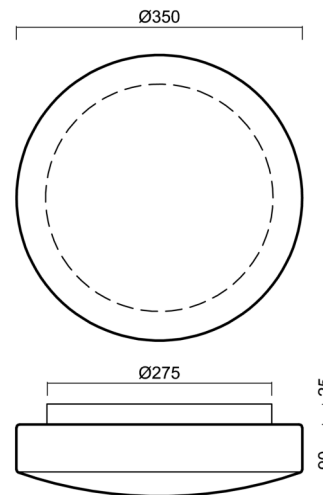
## Electric

Power consumption	2x25 W
Coverage class	2
Ingress Protection	IP43
Socket	E27
terminal block	screw terminal block

## Luminous

Blue light hazard	Risk group 0
-------------------	--------------

Eulum data for calculation programs are available at [www.osmont.cz](http://www.osmont.cz).

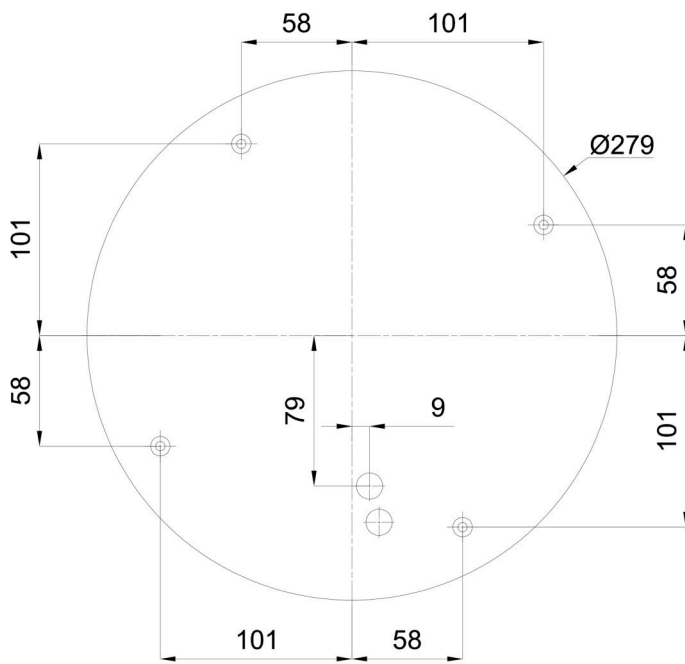


Logistic

EAN	8591728412326
Weight NTTO	2.2 Kg
Weight BTTO	2.5 Kg
Number of cartons	1 pcs
Package volume	0.017 m <sup>3</sup>
Package 1 width	0.375 m
Package 1 length	0.355 m
Package 1 height	0.13 m
Warranty*	60 months

\*The warranty for the batteries is valid for 12 months from the date of purchase.

Installation dimensions:



## Additional assortment:

## Lampshade

Product code	Name	Color	Description	Picture	Drawing
20011	024	white		